

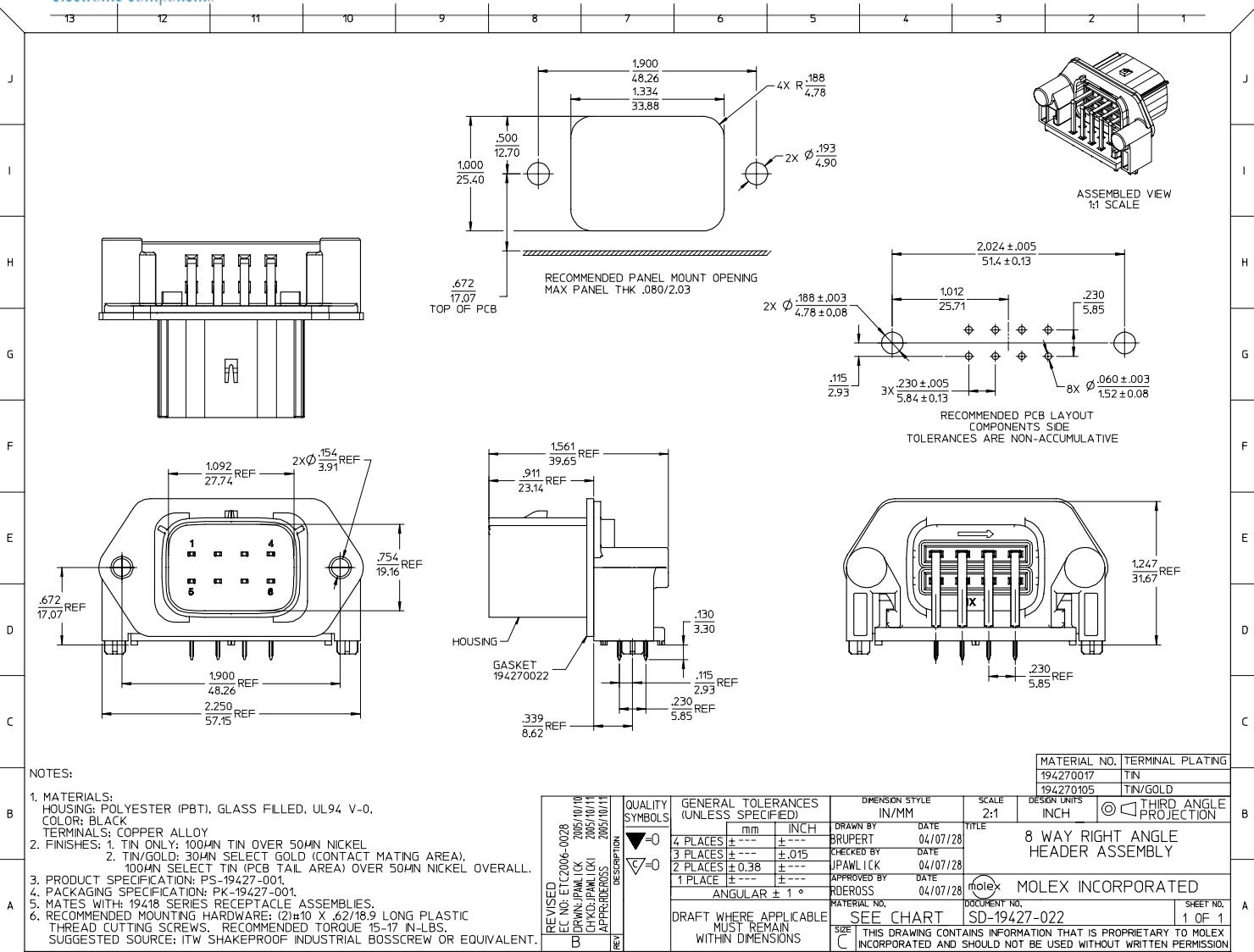
Excellent Integrated System Limited

Stocking Distributor

Click to view price, real time Inventory, Delivery & Lifecycle Information:

[Molex Connector Corporation](#)
[19427-0017](#)

For any questions, you can email us directly:
sales@integrated-circuit.com



NOTES:

1. MATERIALS:
HOUSING: POLYESTER (PBT), GLASS FILLED, UL94 V-0.
COLOR: BLACK
TERMINALS: COPPER ALLOY
2. FINISHES: 1. TIN ONLY: 100µN OVER 50µN NICKEL
2. TIN/GOLD: 30µN SELECT GOLD (CONTACT MATING AREA),
100µN SELECT TIN (PCB TAIL AREA) OVER 50µN NICKEL OVERALL.
3. PRODUCT SPECIFICATION: PS-19427-001.
4. PACKAGING SPECIFICATION: PK-19427-001.
5. MATES WITH: 19418 SERIES RECEPTACLE ASSEMBLIES.
6. RECOMMENDED MOUNTING HARDWARE: (2) #10 X .62/18.9 LONG PLASTIC
THREAD CUTTING SCREWS. RECOMMENDED TORQUE 15-17 IN-LBS.
SUGGESTED SOURCE: ITW SHAKEPROOF INDUSTRIAL BOSSCREW OR EQUIVALENT.

REVISED ECL NO: ETC2006-0028 DRAWN: JPAL CK 2005/10/10 CHKD: JPAL CK 2005/10/11 APPROVED: 2005/10/11	DESCRIPTION QUALITY SYMBOLS ▽=0 ▽=0	GENERAL TOLERANCES (UNLESS SPECIFIED)		DIMENSION STYLE		SCALE	DESIGN UNITS		MATERIAL NO. TERMINAL PLATING	
		mm	INCH	IN/MM	DATE	2:1	INCH	INCH	194270017 TIN	194270105 TIN/GOLD
DRAWN BY		CHECKED BY		APPROVED BY		DATE		TITLE		
BRUPERT		JPAL CK		RDEROSS		04/07/28		8 WAY RIGHT ANGLE HEADER ASSEMBLY		
DATE		DATE		DATE		DATE		MATERIAL NO. DOCUMENT NO. SHEET NO.		
04/07/28		04/07/28		04/07/28		04/07/28		SD-19427-022 1 OF 1		
DRAFT WHERE APPLICABLE MUST REMAIN WITHIN DIMENSIONS		SIZE		THIS DRAWING CONTAINS INFORMATION THAT IS PROPRIETARY TO MOLEX INCORPORATED AND SHOULD NOT BE USED WITHOUT WRITTEN PERMISSION						
C										