

Excellent Integrated System Limited

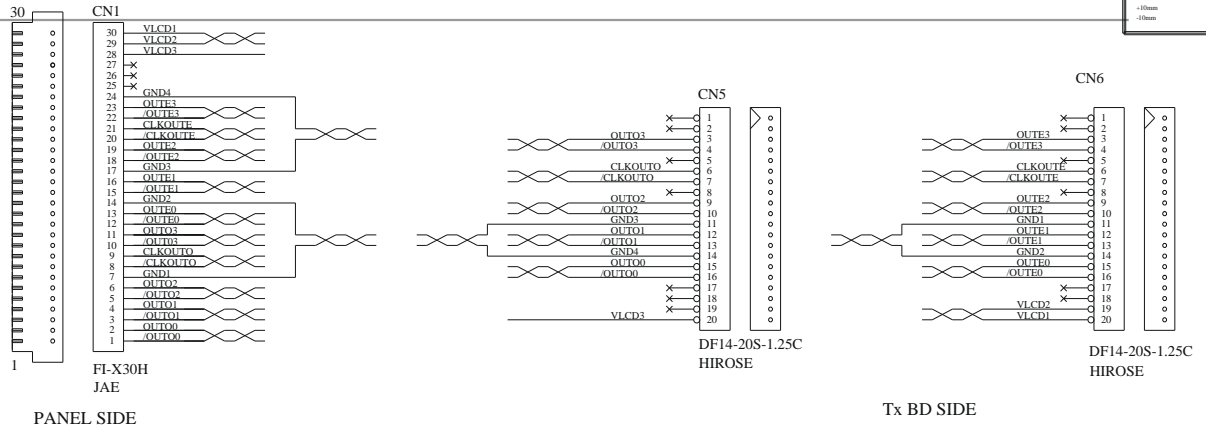
Stocking Distributor

Click to view price, real time Inventory, Delivery & Lifecycle Information:

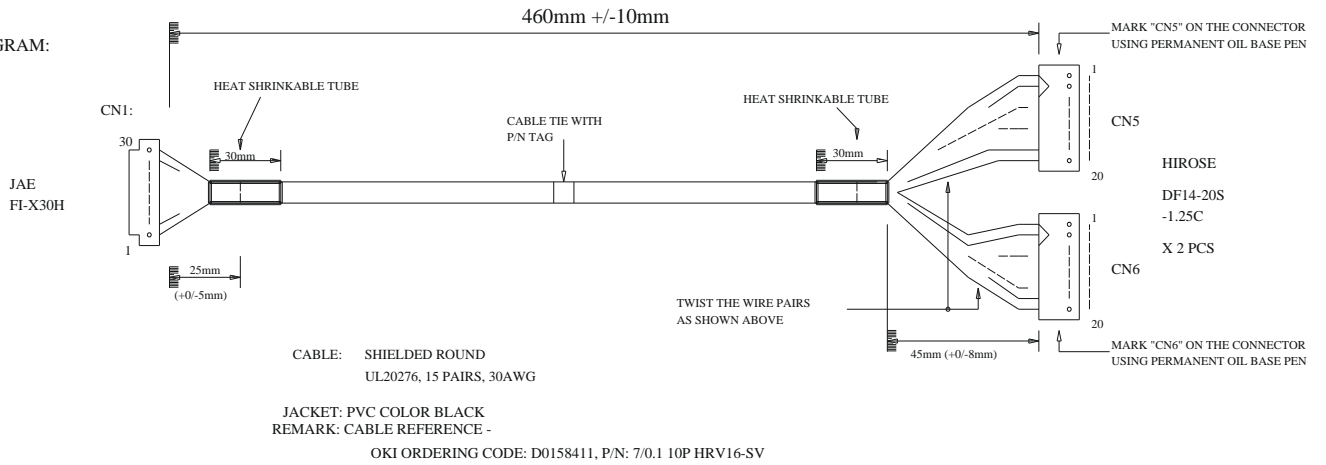
[Digital View Inc.](#)
[426473000](#)

For any questions, you can email us directly:
sales@integrated-circuit.com

CONNECTION DIAGRAM:



CONSTRUCTION DIAGRAM:



USAGE: LVDS CABLE FOR SAMSUNG LTM170E4-L01 SXGA PANEL
(WITH LVDS Tx. BOARD: P/N:4162138-00)

P/N 4264730-00

LVDS CABLE: SAMSUNG LTM170E4-L01, 460mm

DIGITAL VIEW LTD.	
COPYRIGHT 2001. ALL RIGHTS RESERVED	
CONFIDENTIAL	
DRAWN BY: DICK CHEUNG	
Title LVDS CABLE: SAMSUNG LTM170E4-L01, 460mm	
Size	Document Number
B	(G..._DVV_CABLE426473000.SCH)
Date:	July 5, 2001
Sheet	1 of 1
REV	01