

## Excellent Integrated System Limited

Stocking Distributor

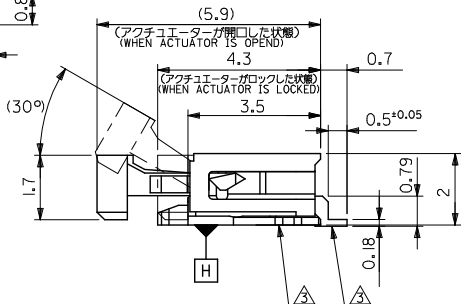
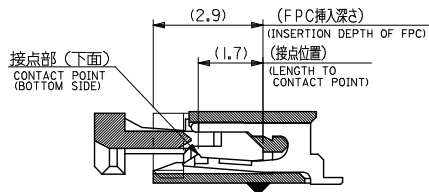
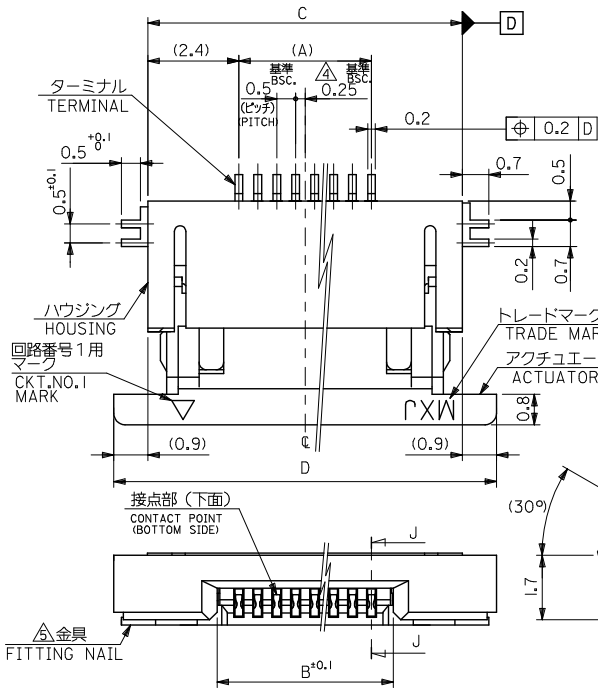
Click to view price, real time Inventory, Delivery & Lifecycle Information:

[Molex Connector Corporation](#)  
[52746-1770](#)

For any questions, you can email us directly:

[sales@integrated-circuit.com](mailto:sales@integrated-circuit.com)

10 9 8 7 6 5 4 3 2 1

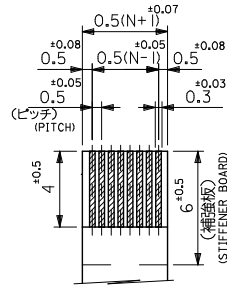
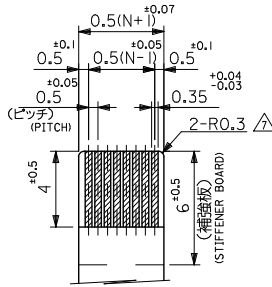


21.1	19.3	15.65	14.5	52746-3070	52746-3019	30
20.6	18.8	15.15	14.0	-2970	-2919	29
20.1	18.3	14.65	13.5	-2870	-2819	28
19.1	17.3	13.65	12.5	-2670	-2619	26
18.6	16.8	13.15	12.0	-2570	-2519	25
18.1	16.3	12.65	11.5	-2470	-2419	24
17.6	15.8	12.15	11.0	-2370	-2319	23
17.1	15.3	11.65	10.5	-2270	-2219	22
16.6	14.8	11.15	10.0	-2170	-2119	21
16.1	14.3	10.65	9.5	-2070	-2019	20
15.6	13.8	10.15	9.0	-1970	-1919	19
15.1	13.3	9.65	8.5	-1870	-1819	18
14.6	12.8	9.15	8.0	-1770	-1719	17
14.1	12.3	8.65	7.5	-1670	-1619	16
13.6	11.8	8.15	7.0	-1570	-1519	15
13.1	11.3	7.65	6.5	-1470	-1419	14
12.6	10.8	7.15	6.0	-1370	-1319	13
12.1	10.3	6.65	5.5	-1270	-1219	12
11.6	9.8	6.15	5.0	-1170	-1119	11
11.1	9.3	5.65	4.5	-1070	-1019	10
10.6	8.8	5.15	4.0	-0970	-0919	9
10.1	8.3	4.65	3.5	-0870	-0819	8
9.6	7.8	4.15	3.0	-0770	-0719	7
9.1	7.3	3.65	2.5	-0670	-0619	6
8.1	6.3	2.65	1.5	52746-0470	52746-0419	4

REVISED IEC NO. J2013-1579 DRAWN BY: 2013/06/24 CHIKDHUJIMA APPR: YNOGAWA 2013/07/02	GENERAL TOLERANCES (UNLESS SPECIFIED)		DIMENSION STYLE	SCALE	DESIGN UNITS	MODEL NO.
			MM ONLY	---	METRIC	52746-19
	10 UNDER	±0.2	DRAWN BY	DATE	TITLE	THIRD ANGLE PROJECTION
	10 OVER 30 UNDER	±0.25	T. UENO	'03/12/12	0.5 FPC CONN. ZIF SMT R/A -LEAD FREE-	
30 OVER	±0.3	CHECKED BY	DATE			
ANGULAR	±3 °	M. SASAO	'03/12/12			
DRAFT WHERE APPLICABLE MUST REMAIN WITHIN DIMENSIONS		APPROVED BY	DATE	MATERIAL NO.	DOCUMENT NO.	SHEET NO.
		M. SASAO	'03/12/12	SEE CHART	SD-52746-028	1 OF 2
THIS DRAWING CONTAINS INFORMATION THAT IS PROPRIETARY TO MOLEX INCORPORATED AND SHOULD NOT BE USED WITHOUT WRITTEN PERMISSION						

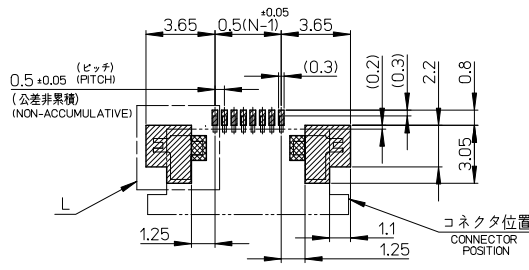
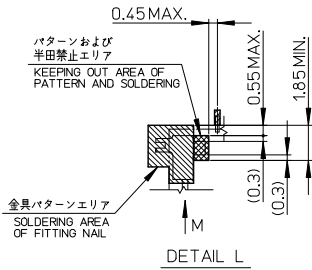
9 8 7 6 5 4 3 2

10 9 8 7 6 5 4 3 2 1



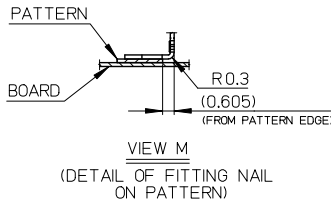
**注記 NOTES**

1. 使用材料 MATERIAL  
ハウジング : 46ナイロン, UL94V-0  
HOUSING : 46NYLON  
アクチュエータ : PPS, UL94V-0  
ACTUATOR  
ターミナル : リン青銅 (+0.2) ニッケル下地・鍍ビスマスメッキ  
TERMINAL PHOS-BRO, TIN-BITHMUS OVER NICKEL PLATED  
金具 : リン青銅 (+0.2) ニッケル下地、鍍メッキ  
FITTING NAIL PHOS-BRO, TIN OVER NICKEL PLATED  
2. エンボステープ細包時は、アクチュエータがロックした状態とする。  
IN THE PACKAGE, ACTUATOR OF PART NO.52746-1770 SHOULD BE LOCKED.  
△ソルダータール半田付け面のズレ量、及び金具半田付け面のズレ量は、基準面 H に対し上方向 0.1 MAX.、下方向 0.15 MAX. とする。  
MISALIGNMENT OF SOLDER TAILS AND FITTING NAILS FROM H UPPER DIRECTION: 0.1 MAX., LOWER DIRECTION: 0.15 MAX.  
△偶数極に適用。  
APPLY FOR EVEN CIRCUIT.  
△パターンはくり止め用金具  
FITTING NAIL FOR PREVENTION OF PEELING OF P.C.B. PATTERN.  
6 本製品は 52746-1770 の鉛フリー品です。  
THIS PRODUCT IS LEAD FREE OF 52746-1770  
△R.O. 3は、FPCの導体部にかからないこと。  
R.O.3 MUST NOT BE OVERLAPPED TO PATTERN OF FPC.



FPCについて:  
打抜き方向は導体部から補強板を推奨致します。  
補強フィルム材質はポリイミドを推奨致します。  
接着剤は熱硬化接着剤を推奨致します。  
ABOUT FPC:  
RECOMMENDED PUNCHER DIRECTION : FROM CONDUCTOR SIDE TO STIFFENER BOARD SIDE.  
RECOMMENDED MATERIAL : STIFFENER FILM : POLYIMIDE  
BONDING AGENT : THERMOSETTING BONDING AGENT

参考基板レイアウト (マウント面)  
RECOMMENDED P.C.BOARD PATTERN DIMENSION (REF.) (MOUNTING SIDE)



REVISED REV IEC NO. J2013-1579 DRAWN: NINOUE01 CHKD: H. IJIMA APPR: Y. INOYAMA 2013/06/24 2013/06/24 2013/07/02	GENERAL TOLERANCES (UNLESS SPECIFIED)		DIMENSION STYLE MM ONLY		SCALE ---	52746-1770	MODEL NO.
	10 UNDER ±0.2		DRAWN BY DATE T. UENO '03/12/12		TITLE	DESIGN UNITS METRIC	THIRD ANGLE PROJECTION
	10 OVER 30 UNDER ±0.25		CHECKED BY DATE M. SASAO '03/12/12		0.5 FPC CONN. ZIF SMT R/A -LEAD FREE-		
	30 OVER ±0.3		APPROVED BY DATE M. SASAO '03/12/12		<b>molex</b>		
ANGULAR ±3°		MATERIAL NO.		SEE CHART 10F2	DOCUMENT NO.	SD-52746-028	SHEET NO. 2 OF 2
DRAFT WHERE APPLICABLE WITHIN DIMENSIONS		SIZE A3		THIS DRAWING CONTAINS INFORMATION THAT IS PROPRIETARY TO MOLEX INCORPORATED AND SHOULD NOT BE USED WITHOUT WRITTEN PERMISSION			

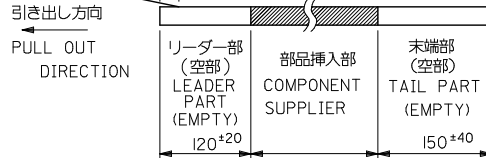
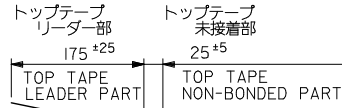
9 8 7 6 5 4 3 2 1

注記 NOTES

1. 製品番号 52746-\*\*\*19 の梱包状態はアクチュエータがロックした状態とする。  
詳細寸法については図面 SD-52746-028 を参照下さい。  
IN THE PACKAGE,ACTUATOR OF PART NO.52746-\*\*\*19 SHOULD BE LOCKED  
RE DETAILED DIMENSIONS,SEE SD-52746-028.

2. 梱包数量：1000個/リール  
NUMBER OF CONNECTORS:1000PCS/REEL

3. リードテープ長さ LEAD TAPE LENGTH

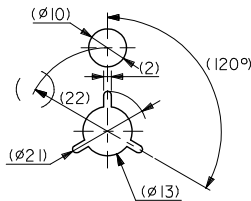
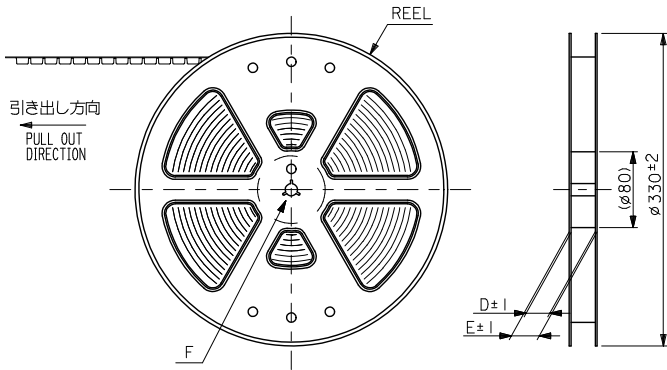


4. 材料 キャリアテープ:ポリプロピレン (PP)  
トップテープ:PET, PE, PEF  
リール:ポリスチレン (PS) <リサイクル材を含む>

MATERIAL CARRIER TAPE:POLYPROPYLENE  
TOP TAPE:PET,PE,PEF  
REEL:POLYSTYREN(PS)  
<RECYCLE MATERIAL CONTAINED>

5. 本製品は 52746-\*\*\*90 の鉛フリー品です  
THIS PRODUCT IS LEAD FREE OF 52746-\*\*\*90

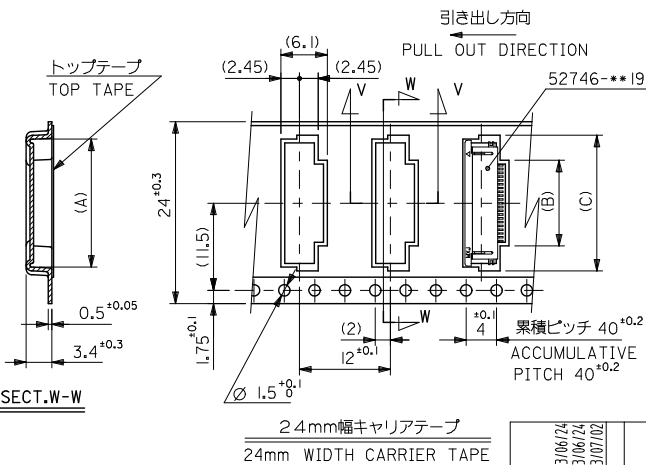
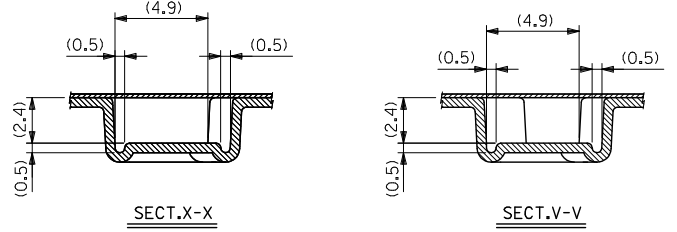
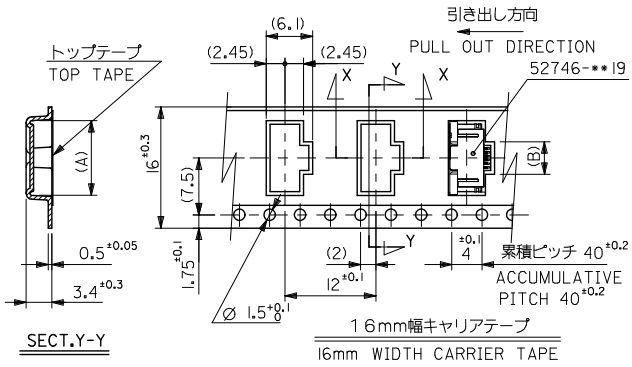
6. 本製品は乾燥剤入り、ハイバリア梱包仕様である。  
THIS PRODUCT IS HIGH BARRIER PACKAGE WITH DESICCANT.



DETAIL F

REVISED EC NO: J2013-1579 DRAWN BY: 2013/06/24 CHKD BY: 2013/06/24 APPR: 2013/07/02 DESCRIPTION: CHIKOHI IJIMA APPR: YUOGAWA	GENERAL TOLERANCES (UNLESS SPECIFIED)		DIMENSION STYLE MM ONLY		SCALE ---	DESIGN UNITS METRIC	MODEL NO. 52746-***70	THIRD ANGLE PROJECTION
	10 UNDER	± ---	DRAWN BY T. UENO	DATE '03/12/12	TITLE 0.5 FPC CONN ZIF SMT RA			
	10 OVER 30 UNDER	± ---	CHECKED BY M. SASAO	DATE '03/12/12	-LEAD FREE-			
	30 OVER	± ---	APPROVED BY M. SASAO	DATE '03/12/12	<b>molex</b>			
ANGULAR	± --- °	MATERIAL NO. SEE CHART 20F2		DOCUMENT NO. SD-52746-029	SHEET NO. 1 OF 2			
DRAFT WHERE APPLICABLE MUST REMAIN WITHIN DIMENSIONS		SIZE A3 THIS DRAWING CONTAINS INFORMATION THAT IS PROPRIETARY TO MOLEX INCORPORATED AND SHOULD NOT BE USED WITHOUT WRITTEN PERMISSION						

10 9 8 7 6 5 4 3 2 1



24	29.4	25.4	17.4	10.8	16.4	52746-2070	20
			16.9	10.3	15.9	-1970	19
			16.4	9.8	15.4	-1870	18
			15.9	9.3	14.9	-1770	17
			15.4	8.8	14.4	-1670	16
			14.9	8.3	13.9	-1570	15
			14.4	7.8	13.4	-1470	14
			13.9	7.3	12.9	-1370	13
			13.4	6.8	12.4	-1270	12
			12.9	6.3	11.9	-1170	11
			12.4	5.8	11.4	-1070	10
			11.9	5.3	10.9	-0970	9
			11.4	4.8	10.4	-0870	8
10.9	4.3	9.9	-0770	7			
10.4	3.8	9.4	-0670	6			
16	21.4	17.4	2.8	8.4	52746-0470	4	
キャリアテープ幅 CARRIER TAPE WIDTH	E	D	(C)	(B)	(A)	MATERIAL NO.	極数 CIRCUITS

REVISED EC NO. J2013-1579 DRAWN: INOLE01 CHKD: H. IJIMA APPR: Y. NOGAWA 2013/06/24 2013/06/24 2013/07/02	GENERAL TOLERANCES (UNLESS SPECIFIED)		DIMENSION STYLE MM ONLY	SCALE ---	52746-1770	MODEL NO.
	10 UNDER	±---	DRAWN BY T. UENO	DATE '03/12/12	TITLE 0.5 FPC CONN ZIF SMT RA	
	10 OVER 30 UNDER	±---	CHECKED BY M. SASAO	DATE '03/12/12	-LEAD FREE-	
	30 OVER	±---	APPROVED BY M. SASAO	DATE '03/12/12	<b>molex</b>	
	ANGULAR	±--- °	MATERIAL NO.	DOCUMENT NO.	SD-52746-029	SHEET NO. 2 OF 2
	DRAFT WHERE APPLICABLE MUST REMAIN WITHIN DIMENSIONS		SEE CHART	THIS DRAWING CONTAINS INFORMATION THAT IS PROPRIETARY TO MOLEX INCORPORATED AND SHOULD NOT BE USED WITHOUT WRITTEN PERMISSION		

9 8 7 6 5 4 3 2