

Excellent Integrated System Limited

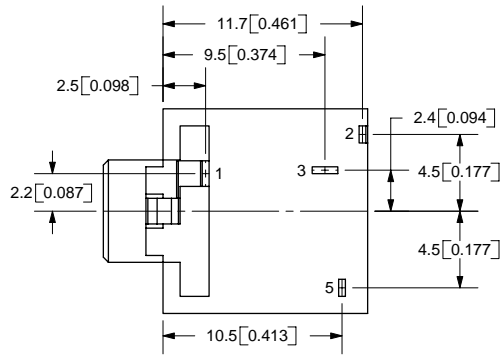
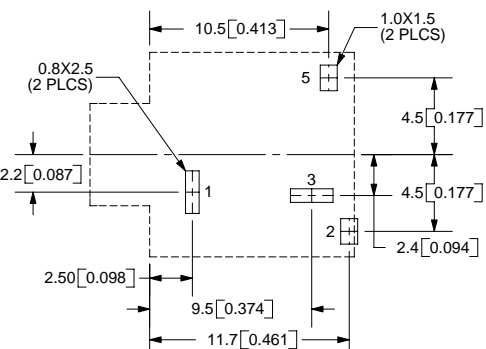
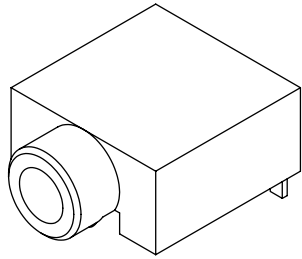
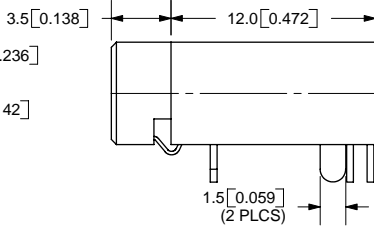
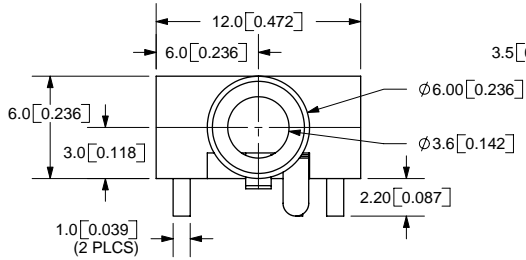
Stocking Distributor

Click to view price, real time Inventory, Delivery & Lifecycle Information:

[CUI Inc.](#)
[SJ-3504](#)

For any questions, you can email us directly:
sales@integrated-circuit.com

REV.	DESCRIPTION	DATE
A	NEW DRAWING	1/3/2006
B	Updated PCB layout	4/19/2006



PCB LAYOUT TOP VIEW

TOLERANCE: ±0.3mm UNLESS OTHERWISE SPECIFIED



MODEL NO.	SJ-3504
SCHMATIC	

SPECIFICATIONS:
 RATING: 12V DC @ 1A
 CONTACT RESISTANCE: 10 ~ 20m OHMS MAX
 INSULATION RESISTANCE: 50M OHMS MIN: 500V DC
 VOLTAGE WITHSTAND: 250V AC R.M.S. FOR 1 MINUTE
 LIFE: 10,000 CYCLES

	MATERIAL	PLATING
TERMINAL 1	Brass	Silver
TERMINAL 2	Copper Titanium	Silver
TERMINAL 3	Brass	Silver
TERMINAL 5	Copper Titanium	Silver
HOUSING	PBT	

9615 SW Allen Blvd., Ste. 103
 Beaverton, OR 97005
 Phone: 503-643-4899
 800-275-4899
 Fax: 503-372-1266
 Website: www.cui.com

TITLE:	3.5mm AUDIO JACK-STEREO	REV:	B
PART NO.	SJ-3504	UNITS:	MM [INCHES]
DRAWN BY:	ZRJ	APPROVED BY:	
		SCALE:	3:1

PC FILE NAME: SJ-3504

COPYRIGHT 2006 BY CUI INC.