

## Excellent Integrated System Limited

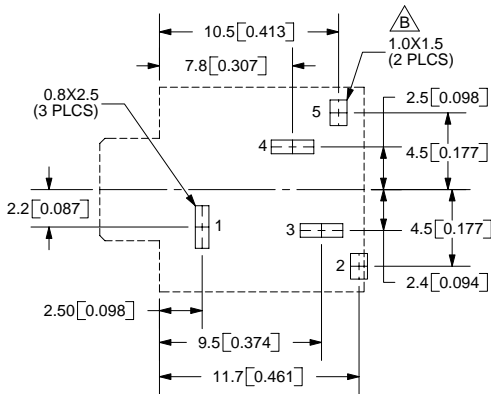
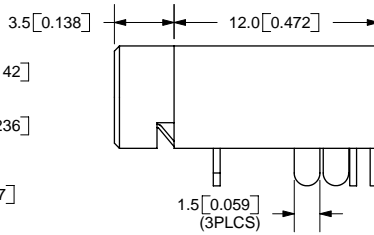
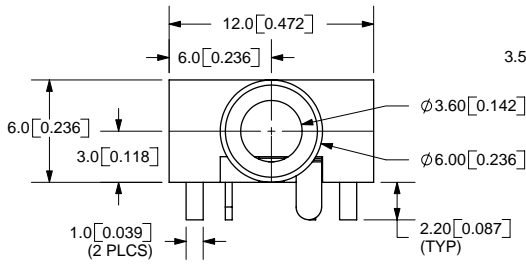
Stocking Distributor

Click to view price, real time Inventory, Delivery & Lifecycle Information:

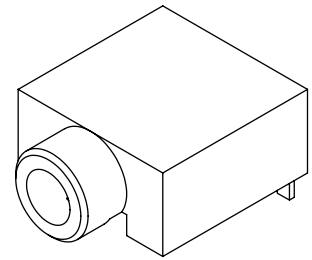
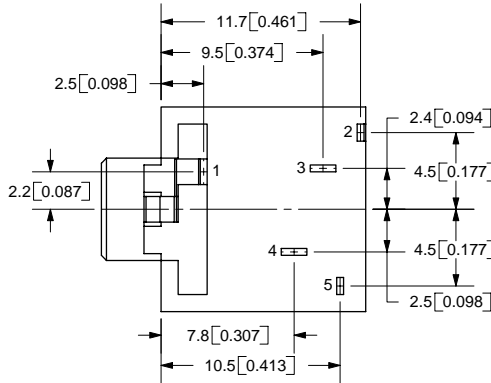
[CUI Inc.](#)  
[SJ-3505](#)

For any questions, you can email us directly:  
[sales@integrated-circuit.com](mailto:sales@integrated-circuit.com)

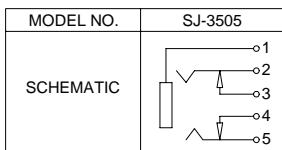
REV.	DESCRIPTION	DATE
A	NEW DRAWING	1/27/2006
B	Updated PCB layout	4/19/2006



PCB LAYOUT TOP VIEW



TOLERANCE:  
±0.3mm UNLESS OTHERWISE SPECIFIED



**SPECIFICATIONS:**

RATING: 12V DC @ 1A  
 CONTACT RESISTANCE: 10-20m OHMS MAX  
 INSULATION RESISTANCE: 50M OHMS MIN: 500V DC  
 VOLTAGE WITHSTAND: 250V AC R.M.S. FOR 1 MINUTE  
 LIFE: 10,000 CYCLES

	MATERIAL	PLATING
TERMINAL 1	Tin Bronze	Silver
TERMINAL 2	Copper Titanium	Silver
TERMINAL 3	Brass	Silver
TERMINAL 4	Brass	Silver
TERMINAL 5	Copper Titanium	Silver
HOUSING	PBT	



**CUI INC**

9615 SW Allen Blvd., Ste. 103  
 Beaverton, OR 97005  
 Phone: 503-643-4899  
 800-275-4899  
 Fax: 503-372-1266  
 Website: www.cui.com

TITLE:	3.5mm AUDIO JACK - STEREO	REV:	B
PART NO.	SJ-3505	UNITS:	MM [INCHES]
DRAWN BY:	ZRJ	APPROVED BY:	
		SCALE:	3:1

PC FILE NAME:  
SJ-3505

COPYRIGHT 2006 BY CUI INC.