

Excellent Integrated System Limited

Stocking Distributor

Click to view price, real time Inventory, Delivery & Lifecycle Information:

[Micron Technology](#)
[MT48H16M32L2B5-10](#)

For any questions, you can email us directly:

sales@integrated-circuit.com



512Mb : x32 TwinDie Mobile SDRAM Addendum Features

Mobile SDRAM

MT48LC16M32L2 – 4 Meg x 32 x 4 Banks

MT48V16M32L2 – 4 Meg x 32 x 4 Banks

MT48H16M32L2 – 4 Meg x 32 x 4 Banks

Features

- Low voltage power supply
- Partial array self refresh power-saving mode
- Temperature compensated self refresh (TCSR)
- Deep power-down mode
- Programmable output drive strength
- Fully synchronous; all signals registered on positive edge of system clock
- Internal pipelined operation; column address can be changed every clock cycle
- Internal banks for hiding row access/precharge
- Programmable burst lengths: 1, 2, 4, 8, or full page
- Auto precharge, includes concurrent auto precharge, and auto refresh modes
- Self refresh mode; standard and low power
- 64ms, 8,192-cycle refresh
- LVTTTL-compatible inputs and outputs
- Operating temperature range
- Industrial (-40°C to +85°C)
- Supports CAS latency of 1, 2, 3

Options

- VDD/VDDQ
3.3V/3.3V LC
- 2.5V/2.5V V
- 1.8V/1.8V H
- Configuration
16M32 stacked die L2
- Package/ballout
Plastic package 90-ball FBGA (8mm x 13mm) (standard) F5
- Plastic package 90-ball FBGA (8mm x 13mm) (lead-free) B5
- Timing (cycle time)
8ns at CL3 (125 MHz) -8
- 10ns at CL3 (100 MHz) -10
- Temperature
Commercial (0°C to +70°C) No Marking
- Industrial (-40°C to +85°C) IT

Marking

Addendum Changes

The standard 256Mb SDRAM Mobile x32 data sheets should be referenced for a complete description of SDRAM functionality and operating modes. This addendum data sheet will concentrate on the key differences required to support the enhanced options of the TwinDie configuration.

The Micron 256Mb Mobile X32 data sheet provides full specifications and functionality unless specified herein.

Table 1: Key Timing Parameters

Speed Grade	Clock Frequency	Access Time at CL = 3	Access Time at CL = 2
-8	125 MHz	7.5ns	8.5ns
-10	100 MHz	7.5ns	8.5ns

Table 2: Configuration

Architecture	16 Meg x 32
Configuration	4 Meg x 32 x 4 banks
Refresh Count	8K
Row Addressing	8K (A0–A12)
Bank Addressing	4 (BA0, BA1)
Column Addressing	512 (A0–A8)



512Mb : x32 TwinDie Mobile SDRAM Addendum General Description

General Description

The 512Mb SDRAM is a high-speed CMOS, dynamic random-access memory containing 536,870,912 bits. It is internally configured by stacking two 256Mb, 8 Meg x 32 devices. Each of these 256Mb devices is configured as a quad bank DRAM with a synchronous interface. They are organized with 32 DQs with 4 banks of 67,108,864 bits, comprising of 8,192 rows by 512 columns by 32 bits wide.

Read and write accesses to the SDRAM are burst oriented; accesses start at a selected location and continue for a programmed number of locations in a programmed sequence. Accesses begin with the registration of an ACTIVE command, which is then followed by a READ or WRITE command. The address bits registered coincident with the ACTIVE command are used to select the bank and row to be accessed (BA0, BA1 select the bank; A0-A12 select the row). The address bits registered coincident with the READ or WRITE command are used to select the starting column location for the burst access. The SDRAM provides for programmable READ or WRITE burst lengths of 1, 2, 4, or 8 locations, or the full page, with a burst terminate option. An auto precharge function may be enabled to provide a self-timed row precharge that is initiated at the end of the burst sequence.

The 512Mb SDRAM uses an internal pipelined architecture to achieve high-speed operation. This architecture is compatible with the 2n rule of prefetch architectures, but it also allows the column address to be changed on every clock cycle to achieve a high-speed, fully random access. Precharging one bank while accessing one of the other three banks will hide the precharge cycles and provide seamless, high-speed, random-access operation.

The 512Mb SDRAM is designed to operate in 3.3V, 2.5V, and 1.8V memory systems. An auto refresh mode is provided, along with a power-saving, power-down mode. All inputs and outputs are LVTTTL-compatible.

SDRAMs offer substantial advances in DRAM operating performance, including the ability to synchronously burst data at a high data rate with automatic column-address generation, the ability to interleave between internal banks to hide precharge time, and the capability to randomly change column addresses on each clock cycle during a burst access.

Prior to normal operation, the SDRAM must be initialized. The following sections provide detailed information covering die initialization, register definition, command descriptions, and device operation on a per die basis unless otherwise noted.

This addendum documents any variances for the 512Mb: x32 Mobile SDRAM from the 256Mb: x32 Mobile SDRAM specification. Please refer to the 256Mb: x32 Mobile SDRAM data sheet on Micron's Web site for additional details on the part functionality.

Commands

AUTO REFRESH

AUTO REFRESH is used during normal operation of the SDRAM and is analogous to CAS#-BEFORE-RAS# (CBR) REFRESH in conventional DRAMs. This command is non-persistent, so it must be issued each time a refresh is required. All active banks must be PRECHARGED prior to issuing a AUTO REFRESH command. The AUTO REFRESH command should not be issued until the minimum ^tRP has been met after the PRECHARGE command as shown in the operations section.

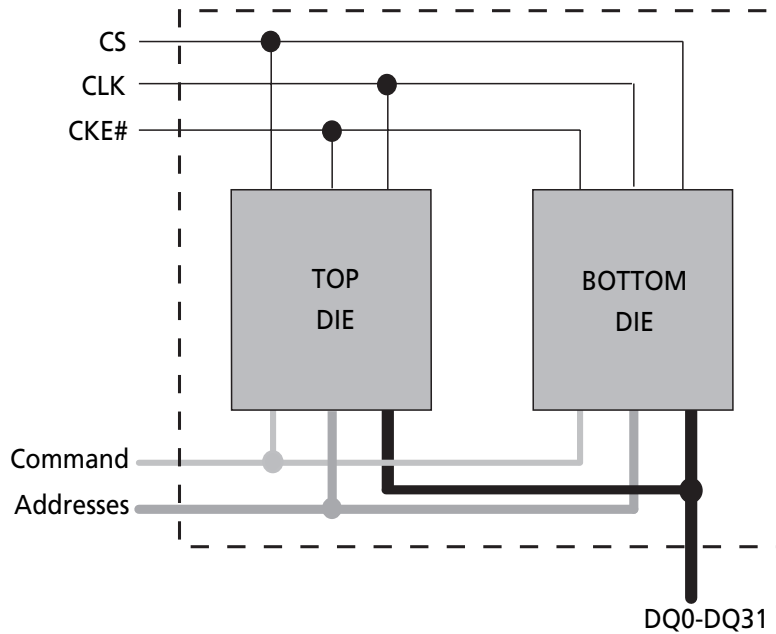
The addressing is generated by the internal refresh controller. This makes the address bits "Don't Care" during an AUTO REFRESH command. The 512Mb TwinDie™ Mobile SDRAM requires 8,192 AUTO REFRESH cycles every 64ms (^tREF). Providing a distributed



**512Mb : x32 TwinDie Mobile SDRAM Addendum
 Commands**

AUTO REFRESH command every 7.81µs will meet the refresh requirement and ensure that each row is refreshed. Alternatively, 8,192 AUTO REFRESH commands can be issued in a burst at the minimum cycle rate (t_{RC}), once every 64ms.

Figure 1: Functional Block Diagram





**512Mb : x32 TwinDie Mobile SDRAM Addendum
Ball Assignment**

Ball Assignment

Figure 2: 90-Ball FBGA Assignment

	1	2	3	4	5	6	7	8	9
A	● DQ26	● DQ24	○ Vss				○ Vdd	● DQ23	● DQ21
B	● DQ28	○ VddQ	○ VssQ				○ VddQ	○ VssQ	● DQ19
C	○ VssQ	● DQ27	● DQ25				● DQ22	● DQ20	○ VddQ
D	○ VssQ	● DQ29	● DQ30				● DQ17	● DQ18	○ VddQ
E	○ VddQ	● DQ31	○ NC				○ NC	● DQ16	○ VssQ
F	○ Vss	○ DQM3	● A3				● A2	○ DQM2	○ Vdd
G	● A4	● A5	● A6				● A10	● A0	● A1
H	● A7	● A8	● A12				○ NC	● BA1	● A11
J	○ CLK	○ CKE	● A9				● BA0	○ CS#	○ RAS#
K	○ DQM1	○ NC	○ NC				○ CAS#	○ WE#	○ DQM0
L	○ VddQ	● DQ8	○ Vss				○ Vdd	● DQ7	○ VssQ
M	○ VssQ	● DQ10	● DQ9				● DQ6	● DQ5	○ VddQ
N	○ VssQ	● DQ12	● DQ14				● DQ1	● DQ3	○ VddQ
P	● DQ11	○ VddQ	○ VssQ				○ VddQ	○ VssQ	● DQ4
R	● DQ13	● DQ15	○ Vss				○ Vdd	● DQ0	● DQ2

Ball and Array



512Mb : x32 TwinDie Mobile SDRAM Addendum Electrical Specifications

Electrical Specifications

Table 3: DC Electrical Characteristics and Operating Conditions (LC version)

$V_{DD}/V_{DDQ} = +3.3V \pm 0.3V$

Notes: 1, 5, 6; please refer to the 256Mb: x32 Mobile SDRAM data sheet for all notes.

Parameter/Condition	Symbol	MIN	MAX	Units	Notes
Supply Voltage	V_{DD}/V_{DDQ}	3	3.6	V	
Input High Voltage: Logic 1; All inputs	V_{IH}	$0.8 \times V_{DDQ}$	$V_{DD} + 0.3$	V	22
Input Low Voltage: Logic 0; All inputs	V_{IL}	-0.3	0.3	V	22
Input Leakage Current: Any input $0V \leq V_{IN} \leq V_{DD}$ (All other balls not under test = 0V)	I_{II}	-5	5	μA	
Output Leakage Current: DQs are disabled; $0V \leq V_{OUT} \leq V_{DDQ}$	I_{OZ}	-5	5	μA	
Output Levels: Output High Voltage ($I_{OUT} = -4mA$)	V_{OH}	$V_{DDQ} - 0.2$	-	V	
Output Low Voltage ($I_{OUT} = 4mA$)	V_{OL}	-	0.2	V	

Table 4: DC Electrical Characteristics and Operating Conditions (V version)

$V_{DD} = +2.5V \pm 0.2V$ $V_{DDQ} = +2.5V \pm 0.2V$ or $V_{DDQ} = +1.8V \pm 0.15V$

Notes: 1, 5, 6; please refer to the 256Mb: x32 Mobile SDRAM data sheet for all notes.

Parameter/Condition	Symbol	MIN	MAX	Units	Notes
Supply Voltage	V_{DD}/V_{DDQ}	2.3	2.7	V	
Input High Voltage: Logic 1; All inputs	V_{IH}	$0.8 \times V_{DDQ}$	$V_{DDQ} + 0.3$	V	22
Input Low Voltage: Logic 0; All inputs	V_{IL}	-0.3	0.3	V	22
Input Leakage Current: Any input $0V \leq V_{IN} \leq V_{DD}$ (All other balls not under test = 0V)	I_{II}	-3.0	3.0	μA	
Output Leakage Current: DQs are disabled; $0V \leq V_{OUT} \leq V_{DDQ}$	I_{OZ}	-3.0	3.0	μA	
Output Levels: Output High Voltage ($I_{OUT} = -4mA$)	V_{OH}	$0.9 \times V_{DDQ}$	-	V	
Output Low Voltage ($I_{OUT} = 4mA$)	V_{OL}	-	0.2	V	



512Mb : x32 TwinDie Mobile SDRAM Addendum Electrical Specifications

Table 5: DC Electrical Characteristics and Operating Conditions (H version)

$V_{DD} = +1.8V \pm 0.1V$ $V_{DDQ} = +1.8V \pm 0.1V$

Notes: 1, 5, 6; please refer to the 256Mb: x32 Mobile SDRAM data sheet for all notes.

Parameter/Condition	Symbol	MIN	MAX	Units	Notes
Supply Voltage	V_{DD}/V_{DDQ}	1.7	1.9	V	
Input High Voltage: Logic 1; All inputs	V_{IH}	$0.8 \times V_{DDQ}$	$V_{DDQ} + 0.3$	V	22
Input Low Voltage: Logic 0; All inputs	V_{IL}	-0.3	0.3	V	22
Input Leakage Current: Any input $0V \leq V_{IN} \leq V_{DD}$ (All other balls not under test = 0V)	I_{II}	-1.0	1.0	μA	
Output Leakage Current: DQs are disabled; $0V \leq V_{OUT} \leq V_{DDQ}$	I_{OZ}	-1.5	1.55	μA	
Output Levels: Output High Voltage ($I_{OUT} = -4mA$)	V_{OH}	$0.9 \times V_{DDQ}$	-	V	
Output Low Voltage ($I_{OUT} = 4mA$)	V_{OL}	-	0.2	V	

Table 6: IDD Specifications and Conditions (LC version)

$V_{DD} = +3.3V \pm 0.3V$, $V_{DDQ} = +3.3V \pm 0.3V$

Notes: 1, 5, 6, 11, 13; please refer to the 256Mb: x32 Mobile SDRAM data sheet for all notes.

Parameter/Condition	Symbol	MAX		Units	Notes
		-8	-10		
Operating Current: Active Mode; Burst = 2; READ or WRITE; $t_{RC} = t_{RC}(\text{MIN})$	I_{DD1}	210	185	mA	3, 18, 19, 28
Standby Current: Power-Down Mode; All banks idle; CKE = LOW	I_{DD2N}	800	800	μA	32
Standby Current: Power-Down Mode; All banks idle; CKE = HIGH	I_{DD2NS}	60	60	mA	
Standby Current: Active Mode; CKE = HIGH; CS# = HIGH; All banks active after t_{RCD} met; No accesses in progress	I_{DD3NS}	80	80	mA	3, 12, 19, 28
Standby Current: Active Mode; CKE = LOW; CS# = HIGH; All banks active; No accesses in progress	I_{DD3N}	60	60	mA	
Operating Current: Burst Mode; Continuous burst; READ or WRITE; All banks active, half DQs toggling every cycle.	I_{DD4}	165	140	mA	3, 18, 19, 28
Auto Refresh Current CKE = HIGH; CS# = HIGH	$t_{RFC} = t_{RFC}(\text{MIN})$	300	250	mA	3, 12, 18, 19, 28, 29
	$t_{RFC} = 7.8\mu s$	5.0	5.0	mA	
Deep power down	I_{ZZ}	20	20	μA	



512Mb : x32 TwinDie Mobile SDRAM Addendum Electrical Specifications

Table 7: IDD Specifications and Conditions (V version)

$V_{DD} = +2.5 \pm 0.2V$, $V_{DDQ} = +2.5 \pm 0.2V$

Notes: 1, 5, 6, 11, 13; please refer to the 256Mb: x32 Mobile SDRAM data sheet for all notes.

Parameter/Condition	Symbol	MAX		Units	Notes
		-8	-10		
Operating Current: Active Mode; Burst = 2; READ or WRITE; $t_{RC} = t_{RC}(\text{MIN})$	IDD1	210	185	mA	3, 18, 19, 28
Standby Current: Power-Down Mode; All banks idle; CKE = LOW	IDD2N	800	800	μA	32
Standby Current: Power-Down Mode; All banks idle; CKE = HIGH	IDD2NS	60	60	mA	
Standby Current: Active Mode; CKE = HIGH; CS# = HIGH; All banks active after t_{RCD} met; No accesses in progress	IDD3NS	80	80	mA	3, 12, 19, 28
Standby Current: Active Mode; CKE = LOW; CS# = HIGH; All banks active; No accesses in progress	IDD3N	60	60	mA	
Operating Current: Burst Mode; Continuous burst; READ or WRITE; All banks active, half DQs toggling every cycle.	IDD4	165	140	mA	3, 18, 19, 28
Auto Refresh Current CKE = HIGH; CS# = HIGH	$t_{RFC} = t_{RFC}(\text{MIN})$	300	250	mA	3, 12, 18, 19, 28, 29
	$t_{RFC} = 7.8\mu\text{s}$	5.0	5.0	mA	
Deep power down	Izz	20	20	μA	

Table 8: IDD Specifications and Conditions (H version)

$V_{DD} = 1.8 \pm 0.1V$, $V_{DDQ} = 1.8V \pm 0.1V$

Notes: 1, 5, 6, 11, 13; please refer to the 256Mb: x32 Mobile SDRAM data sheet for all notes.

Parameter/Condition	Symbol	MAX		Units	Notes
		-8	-10		
Operating Current: Active Mode; Burst = 2; READ or WRITE; $t_{RC} = t_{RC}(\text{MIN})$	IDD1	155	130	mA	3, 18, 19, 28
Standby Current: Power-Down Mode; All banks idle; CKE = LOW	IDD2N	600	600	μA	32
Standby Current: Power-Down Mode; All banks idle; CKE = HIGH	IDD2NS	40	40	mA	
Standby Current: Active Mode; CKE = HIGH; CS# = HIGH; All banks active after t_{RCD} met; No accesses in progress	IDD3NS	60	60	mA	3, 12, 19, 28
Standby Current: Active Mode; CKE = LOW; CS# = HIGH; All banks active; No accesses in progress	IDD3N	40	40	mA	
Operating Current: Burst Mode; Continuous burst; READ or WRITE; All banks active, half DQs toggling every cycle.	IDD4	115	95	mA	3, 18, 19, 28
Auto Refresh Current CKE = HIGH; CS# = HIGH	$t_{RFC} = t_{RFC}(\text{MIN})$	245	205	mA	3, 12, 18, 19, 28, 29
	$t_{RFC} = 7.8\mu\text{s}$	5.0	5.0	mA	
Deep power down	Izz	20	20	μA	



**512Mb : x32 TwinDie Mobile SDRAM Addendum
IDD7 Curves**

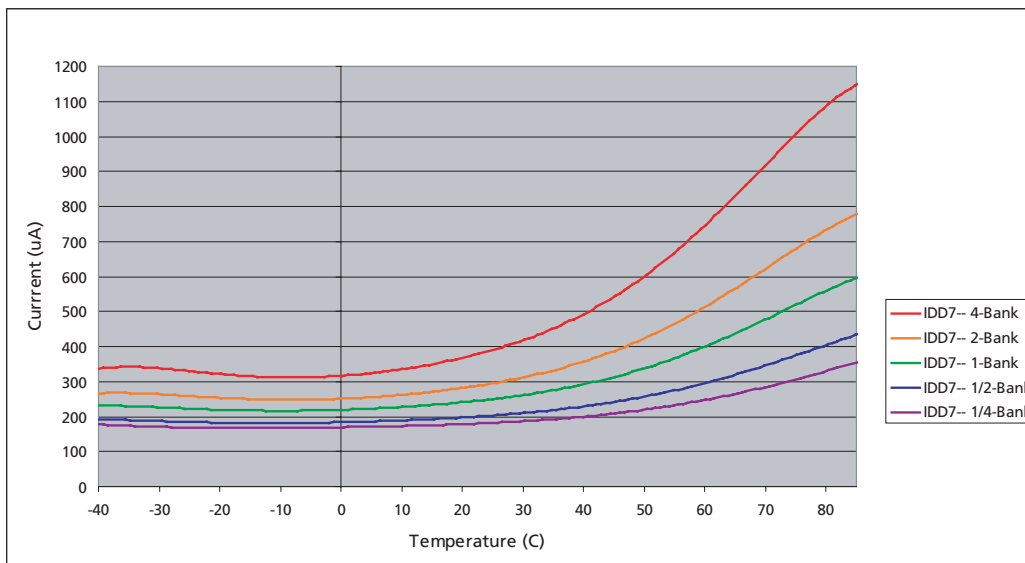
Table 9: IDD7 - Self Refresh Current Options

Note: 4; please refer to the 256Mb: x32 Mobile SDRAM data sheet for all notes. Values for IDD7 for 85°C are 100 percent tested. Values for 70°C, 45°C, and 15°C are sampled only.

Temperature Compensated Self Refresh Parameter/Condition	MAX Temperature	VDD = 3.3	VDD = 2.5	VDD = 1.8	Units	Notes
Self Refresh Current: CKE = LOW – 4 Bank Refresh	85°C	1600	1600	1200	µA	4
	70°C	1300	1300	960	µA	4
	45°C	1000	1000	740	µA	4
	15°C	864	864	630	µA	4
Self Refresh Current: CKE = LOW – 2 Bank Refresh	85°C	1200	1200	900	µA	4
	70°C	1025	1025	760	µA	4
	45°C	875	875	640	µA	4
	15°C	800	800	580	µA	4
Self Refresh Current: CKE = LOW – 1 Bank Refresh	85°C	1000	1000	750	µA	4
	70°C	900	900	660	µA	4
	45°C	800	800	590	µA	4
	15°C	760	760	560	µA	4
Self Refresh Current: CKE = LOW – Half Bank Refresh	85°C	900	900	680	µA	4
	70°C	825	825	610	µA	4
	45°C	780	780	566	µA	4
	15°C	750	750	540	µA	4
Self Refresh Current: CKE = LOW – Quarter Bank Refresh	85°C	850	850	640	µA	4
	70°C	800	800	590	µA	4
	45°C	760	760	550	µA	4
	15°C	740	740	536	µA	4

IDD7 Curves

Figure 3: Typical Self Refresh Current vs. Temperature – 3.3V Part





**512Mb : x32 TwinDie Mobile SDRAM Addendum
IDD7 Curves**

Figure 4: Typical Self Refresh Current vs. Temperature – 2.5V Part

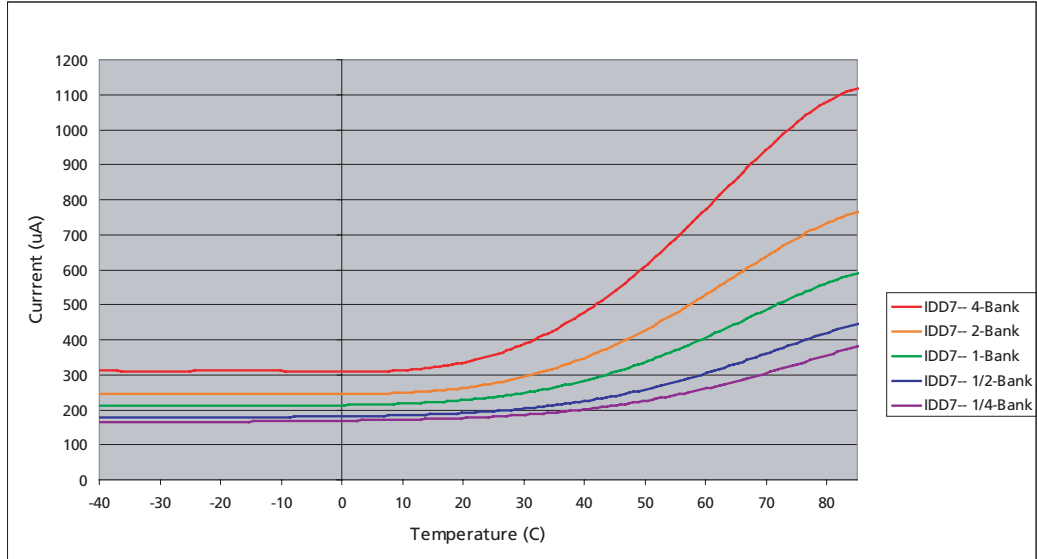


Figure 5: Typical Self Refresh Current vs. Temperature – 1.8V Part

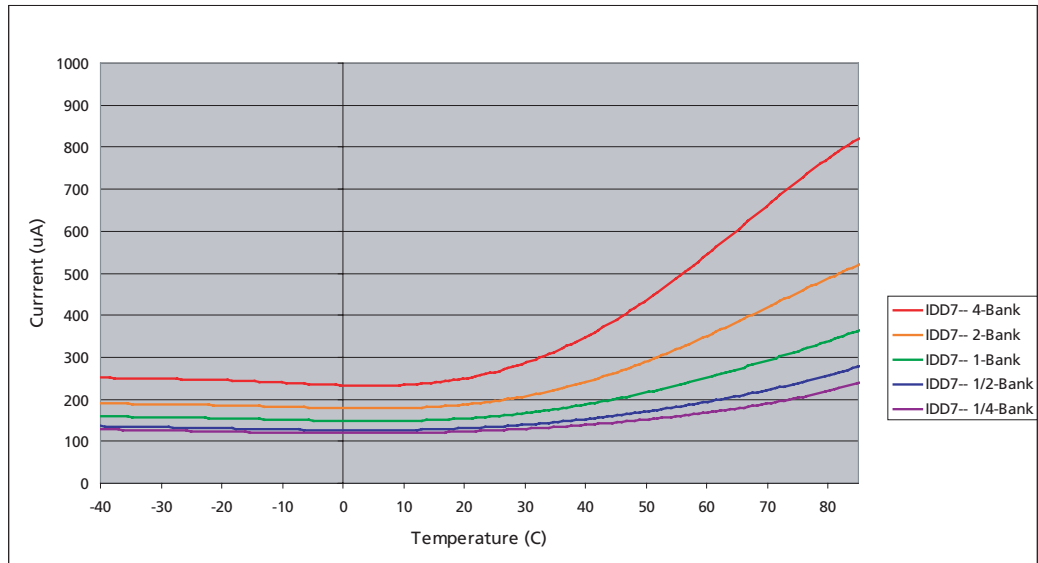


Table 10: Capacitance

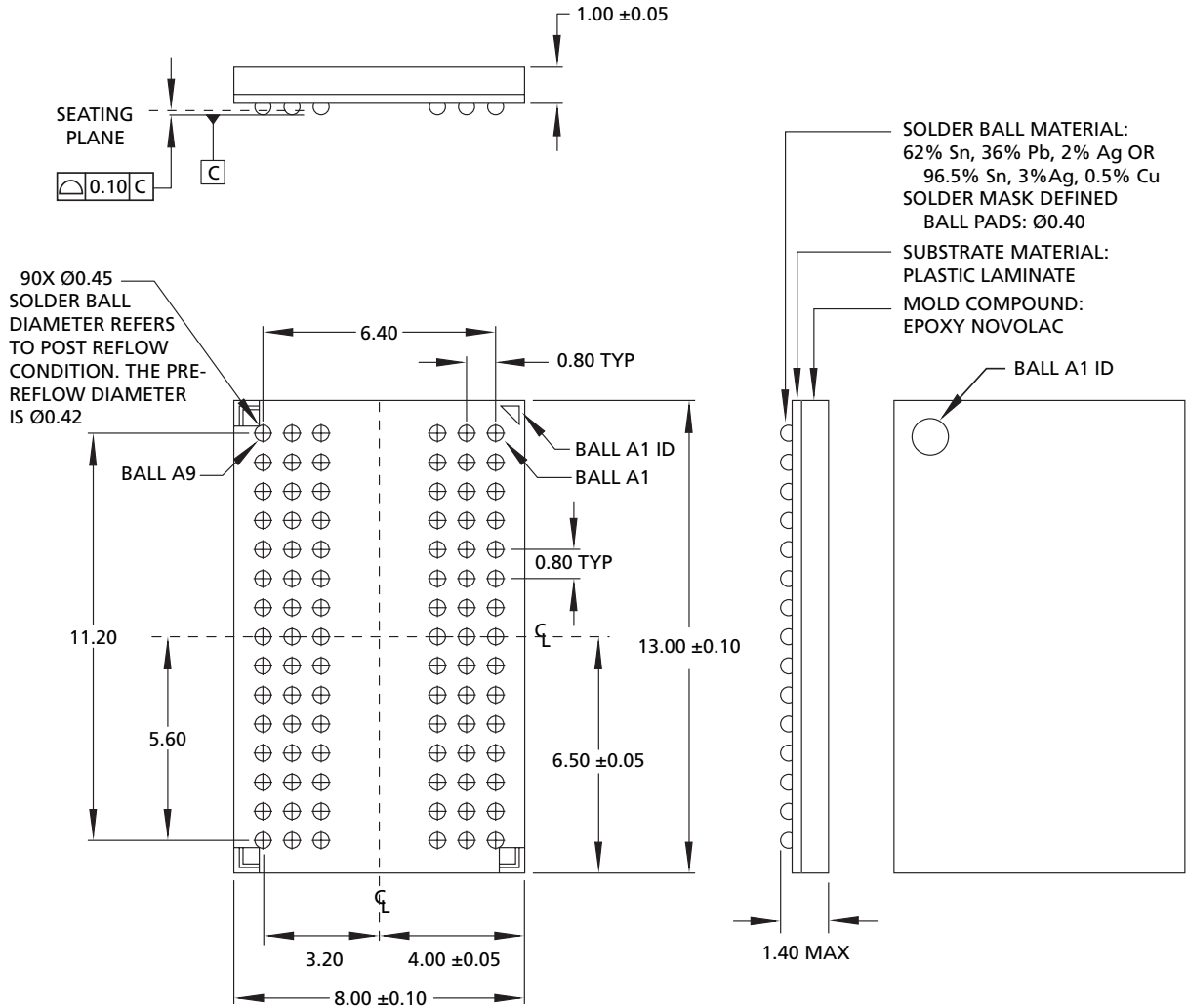
Parameter – FBGA “S2” Package	Symbol	MIN	MAX	Units
Input Capacitance: CLK	C11	5	8	pF
Input Capacitance: All other input-only balls	C12	5	8	pF
Input/Output Capacitance: DQs	C10	8	12	pF



**512Mb : x32 TwinDie Mobile SDRAM Addendum
 Package Dimensions**

Package Dimensions

Figure 6: 90-Ball FBGA (8mm x 13mm)



- Notes: 1. All dimensions in millimeters.
 2. Recommended pad size for PCB is 0.4mm ± 0.025mm.



8000 S. Federal Way, P.O. Box 6, Boise, ID 83707-0006, Tel: 208-368-3900
 prodmktg@micron.com www.micron.com Customer Comment Line: 800-932-4992
 Micron, the M logo, and the Micron logo are trademarks of Micron Technology, Inc.
 All other trademarks are the property of their respective owners.

This data sheet contains minimum and maximum limits specified over the complete power supply and temperature range for production devices. Although considered final, these specifications are subject to change, as further product development and data characterization sometimes occur.