

## Excellent Integrated System Limited

Stocking Distributor

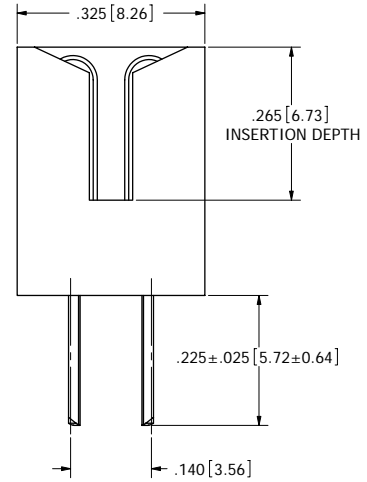
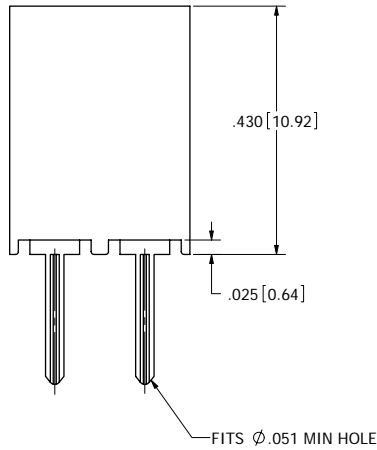
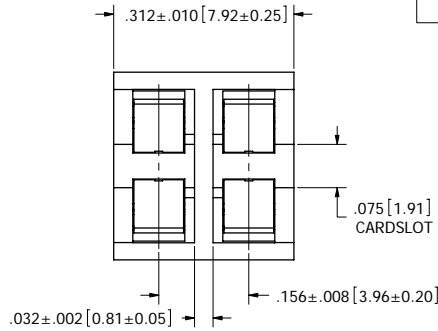
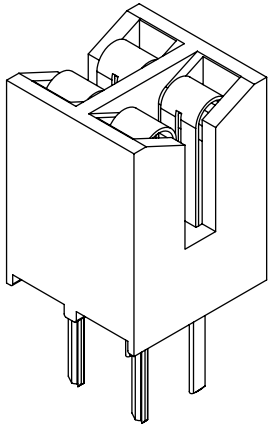
Click to view price, real time Inventory, Delivery & Lifecycle Information:

[Sullins Connector Solutions](#)  
[EBM02DRKB-S587](#)

For any questions, you can email us directly:

[sales@integrated-circuit.com](mailto:sales@integrated-circuit.com)

REVISIONS				
REV.	ECO. NO	DESCRIPTION	DATE	BY
A	1409	INITIAL RELEASE	7/2/2007	MNH



- NOTES:
- INSULATOR MATERIAL: BLACK PBT
  - CONTACT MATERIAL: PHOSPHOR BRONZE
  - PLATING: .000050" NICKEL UNDERPLATE  
CONTACT SURFACE: .000010" GOLD  
TERMINATION: .000100" PURE TIN, MATTE
  - OPERATING TEMPERATURE: -65°C TO +125°C @ 3 AMPS PER PIN  
-65°C TO +105°C @ 5 AMPS PER PIN
  - PROCESSING TEMP: 260°C FOR 10 SECONDS MAX
  - UL FLAMMABILITY RATING: 94V-0
  - VOLTAGE RATING: 1800 VDC MINIMUM AT SEA LEVEL
  - VOLTAGE DROP: 30 MILLI VOLT AT RATED CURRENT
  - INSULATION RESISTANCE: 5000 MEGA OHM
  - CONNECTOR IDENTIFICATION: THE PART SHALL BE MARKED WITH A PART NUMBER AND BARCODE
  - BOARD THICKNESS ACCOMMODATED: .062±.008" [1.57]
  - BOARD INSERTION FORCE: 8 OZ MAX PER CONTACT PAIR WHEN USING A .062" [1.57] TEST BLADE.
  - BOARD WITHDRAWAL FORCE: 1 OUNCE MINIMUM PER CONTACT PAIR USING .062" [1.57] PCB
  - MODIFICATION: NO CONTACT ID, MOLDED KEY BETWEEN POSITION 1 AND 2

REF: EBM02DRKB-S587

### CUSTOMER COPY



RoHS COMPLIANT

UNLESS OTHERWISE SPECIFIED: DIMENSIONS ARE IN INCHES[MM] TOLERANCES: ANGULAR: ± ° XX = ± .02 [508] XXX = ± .005 [127] XXXX = ± .0005 [12.7] PARENTHETICAL INFORMATION IS FOR REFERENCE ONLY  INTERPRET DIMENSIONS AND GEOMETRIC TOLERANCING PER: ANSI Y14.5-1984	DATE	NAME	<b>SULLINS ELECTRONICS</b> DESCRIPTION: <b>EDGE CARD, .156 CC LP</b> PART NUMBER: <b>MPSL-3156-02-DS-4K(O2E)(1-2MK)</b> SIZE: <b>C</b> DWG. NO.: <b>C10945</b> REV: <b>A</b> SCALE: 8:1 SHEET 1 OF 1
	DRAWN: FZ-07	MNH	