

Excellent Integrated System Limited

Stocking Distributor

Click to view price, real time Inventory, Delivery & Lifecycle Information:

[Diodes Incorporated](#)
[ZRT040GA1TA](#)

For any questions, you can email us directly:

sales@integrated-circuit.com

ZRT040

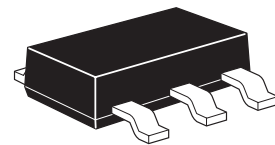
4.01V LOW POWER PRECISION REFERENCE SOURCE

DESCRIPTION

The ZRT040 is a monolithic integrated circuit providing a precise stable reference voltage of 4.01V at 500 μ A.

The circuit features a knee current of 150 μ A and operation over a wide range of temperatures and currents.

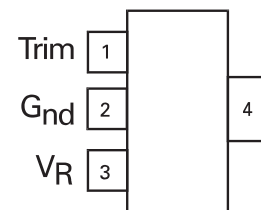
The ZRT040 is available in a SOT223 package for surface mount applications. This device offers a trim facility whereby the output voltage can be adjusted as shown in Fig.1. This facility is used when compensating for system errors or setting the reference output to a particular value. When the trim facility is not used, the pin should be left open circuit.



SOT223

FEATURES

- Trimmable output
- Excellent temperature stability
- Low output noise figure
- Available in three temperature ranges
- 1 and 2% initial voltage tolerance versions available
- No external stabilising capacitor required in most cases
- Low slope resistance
- SOT223 small outline packages



SOT223
 Package suffix G
 Top view (pin 4 floating or connected to pin 2)

ORDERING INFORMATION

DEVICE	TOL%	OPERATING TEMP.	PACKAGE	PARTMARK
ZRT040GC2	2	-40 to 85°C	SOT223	ZRT040C2
ZRT040GC1	1	-40 to 85°C	SOT223	ZRT040C1
ZRT040GA1	1	-55 to 125°C	SOT223	ZRT040A1

A grade -55°C to 125°C
 C grade -40°C to 85°C

ZRT040

ABSOLUTE MAXIMUM RATINGS

PARAMETER	SYMBOL	LIMIT	UNIT
Reverse current ⁽¹⁾		75	mA
Operating temperature: A grade	T _{OMP}	-55 to 125	°C
C grade			
Storage temperature	T _{STG}	-55 to 150	°C

⁽¹⁾ Above 25°C this figure should be linearly derated to 15mA at 125°C

POWER DISSIPATION (at T_{amb} = 25°C unless otherwise stated)

PACKAGE	VALUE	UNIT
SOT223	2	W

TEMPERATURE DEPENDENT ELECTRICAL CHARACTERISTICS

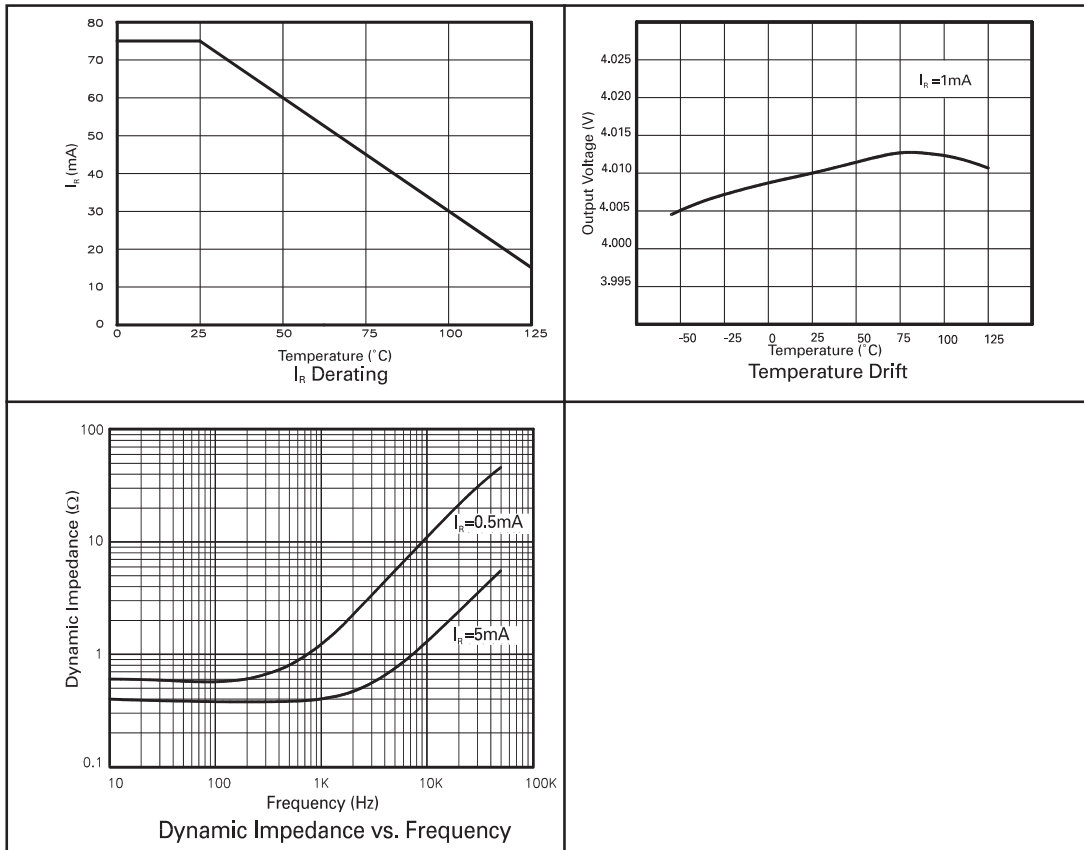
SYMBOL	PARAMETER	INITIAL VOLTAGE TOLERANCE %	GRADE A		GRADE C		UNIT
			TYP	MAX	TYP	MAX	
ΔV _R	Output voltage change over relevant temperature range(See note (a))	1 & 2	11.0	36.0	7.5	24.0	mV
T _C V _R	Output voltage temperature coefficient (See note (b))	1 & 2	15.0	50.0	15.0	50.0	ppm/°C

ELECTRICAL CHARACTERISTICS (at T_{amb} = 25°C unless otherwise stated)

SYMBOL	PARAMETER	CONDITIONS	MIN.	TYP.	MAX.	UNIT
V _R	Output voltage	I _R =500μA	3.97	4.01	4.05	V
	1% tolerance (A1,C1)					
	2% tolerance (C2)		3.93	4.01	4.09	V
ΔV _{TRIM}	Output voltage adjustment range	R _T =100kΩ		±5		%
T _C ΔV _{TRIM}	Change in T _C V _R with output adjustment			2.5		ppm/°C/%
I _R	Operating current range		0.15		75	mA
t _{on}	Turn-on time	R _L =1kΩ		40		μs
t _{off}	Turn-off time			0.3		
e _{np-p}	Output voltage noise (over the range 0.1 to 10Hz)	Peak to peak measurement		50		μV
R _S	Slope resistance	I _R = 0.5mA to 5mA (See note (c))		1.1	3.0	Ω

ZRT040

TYPICAL CHARACTERISTICS



NOTES:

(a) Output change with temperature

The absolute maximum difference between the maximum output voltage and the minimum output voltage over the specified temperature range:

$$\Delta V_R = V_{max} - V_{min}$$

(b) Output temperature coefficient ($T_C V_R$)

The ratio of the output change with temperature to the specified temperature range expressed in ppm/ $^{\circ}\text{C}$:

$$T_C V_R = \frac{\Delta V_R \times 10^6}{V_R \times \Delta T} \text{ ppm}^{\circ}\text{C}$$

ΔT = Full temperature range

(c) Operating current (I_R)

Maximum operating current must be derated as indicated in maximum ratings.

(d) Slope resistance (R_S)

The slope resistance is defined as:

$$R_S = \frac{\text{change in } V_R}{\text{specific current range}}$$

$$\Delta I = 5 - 0.5 = 4.5\text{mA (typically)}$$

(e) Line regulation

The ratio of change in output voltage to the change in input voltage producing it:

$$\frac{R_S \times 100}{V_R \times R_{SOURCE}} \% / V$$

ISSUE 4 - DECEMBER 2003

ZRT040

SCHEMATIC DIAGRAM

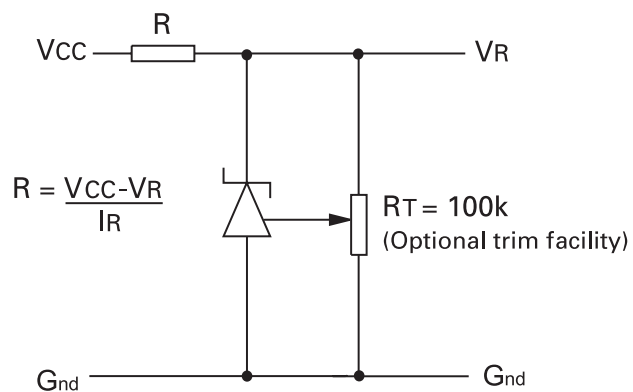
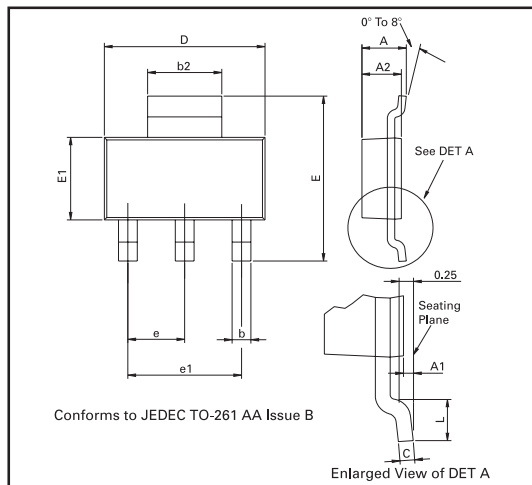


Figure 1:
 This circuit will allow the reference to be trimmed over a wide range. The device is specified over a $\pm 5\%$ trim range.

ZRT040

PACKAGE OUTLINE



Controlling dimensions are in millimeters. Approximate conversions are given in inches

PACKAGE DIMENSIONS

DIM	Millimeters		Inches		DIM	Millimeters		Inches	
	Min	Max	Min	Max		Min	Max	Min	Max
A	-	1.80	-	0.071	e	2.30 BSC		0.0905 BSC	
A1	0.02	0.10	0.0008	0.004	e1	4.60 BSC		0.181 BSC	
b	0.66	0.84	0.026	0.033	E	6.70	7.30	0.264	0.287
b2	2.90	3.10	0.114	0.122	E1	3.30	3.70	0.130	0.146
C	0.23	0.33	0.009	0.013	L	0.90	-	0.0355	-
D	6.30	6.70	0.248	0.264		-	-	-	-

© Zetex plc 2003

Europe

Zetex plc
 Fields New Road
 Chadderton
 Oldham, OL9 8NP
 United Kingdom
 Telephone: (44) 161 622 4444
 Fax: (44) 161 622 4446
 hq@zetex.com

Zetex GmbH
 Streitfeldstraße 19
 D-81673 München
 Germany
 Telefon: (49) 89 45 49 49 0
 Fax: (49) 89 45 49 49 49
 europe.sales@zetex.com

Americas

Zetex Inc
 700 Veterans Memorial Hwy
 Hauppauge, NY 11788
 USA
 Telephone: (1) 631 360 2222
 Fax: (1) 631 360 8222
 usa.sales@zetex.com

Asia Pacific

Zetex (Asia) Ltd
 3701-04 Metroplaza Tower 1
 Hing Fong Road
 Kwai Fong
 Hong Kong
 Telephone: (852) 26100 611
 Fax: (852) 24250 494
 asia.sales@zetex.com

These offices are supported by agents and distributors in major countries world-wide.

This publication is issued to provide outline information only which (unless agreed by the Company in writing) may not be used, applied or reproduced for any purpose or form part of any order or contract or be regarded as a representation relating to the products or services concerned. The Company reserves the right to alter without notice the specification, design, price or conditions of supply of any product or service.

For the latest product information, log on to www.zetex.com

ISSUE 4 - DECEMBER 2003