



**Distributor of Molex Connector Corporation: Excellent Integrated System Limited**  
Datasheet of 0836119006 - D-Sub Connector Plug, Male Pins 9 Position Panel Mount, Through Hole, Right Angle Solder

Contact us: [sales@integrated-circuit.com](mailto:sales@integrated-circuit.com) Website: [www.integrated-circuit.com](http://www.integrated-circuit.com)

---

## **Excellent Integrated System Limited**

Stocking Distributor

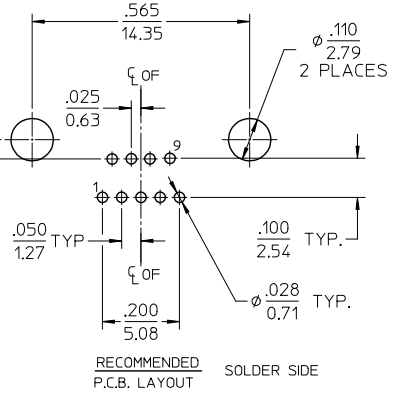
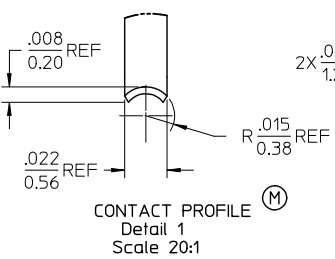
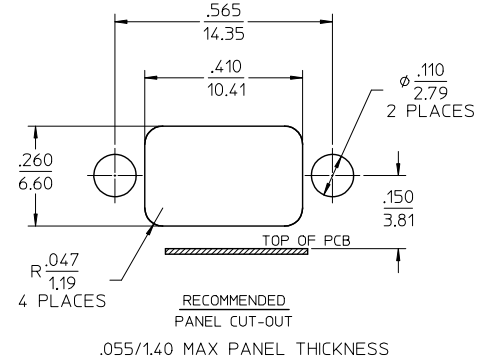
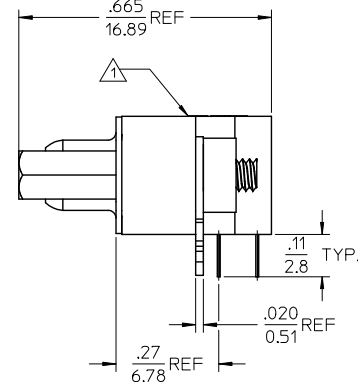
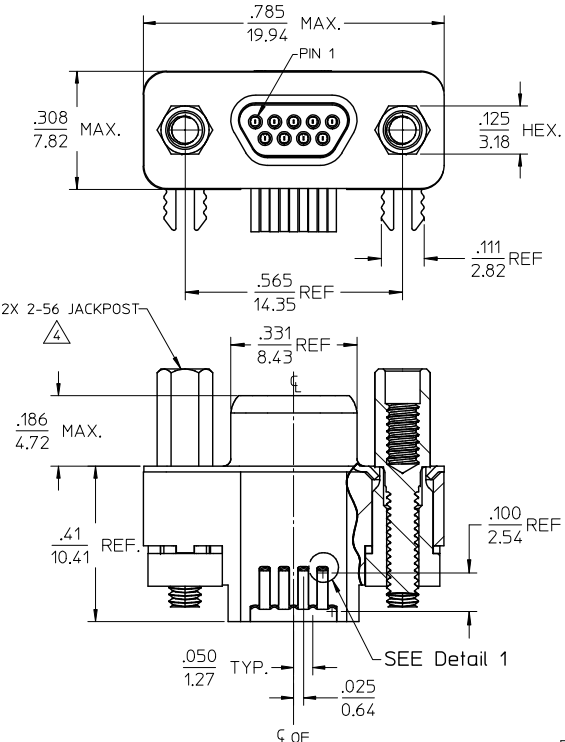
Click to view price, real time Inventory, Delivery & Lifecycle Information:

[Molex Connector Corporation](#)  
[0836119006](#)

For any questions, you can email us directly:  
[sales@integrated-circuit.com](mailto:sales@integrated-circuit.com)

Contact us: [sales@integrated-circuit.com](mailto:sales@integrated-circuit.com) Website: [www.integrated-circuit.com](http://www.integrated-circuit.com)

MATERIAL NO.	ENG. NO.
836119006	83611-9006
836119201	83611-9201



- NOTES:  
 1. DATE CODE : 08(YR)XX(WEEK)C(CHINA)  
 2. SEE PS-83421-9000  
 3. ROHS COMPLIANT.  
 4. 2.5 IN/LB TORQUE MAX.

ADD CONTACT PROFILE EC NO: IFC2013-0813 DRAWN BY: RDR/ROBERT CHKD: JF/MURPHY APPR: JF/MURPHY REV: 2012/11/30 2013/01/18	QUALITY SYMBOLS ▽=0 ▽=0	GENERAL TOLERANCES (UNLESS SPECIFIED)		DIMENSION STYLE		SCALE	DESIGN UNITS	THIRD ANGLE PROJECTION	
		mm	INCH	IN/MM		4:1	INCH	☉	
		4 PLACES	± .005	± .005	DRAWN BY: JLOMASTR	DATE: 04/09/21	TITLE: CONN,COMMERCIAL-D,PLUG RT ANGLE,JKPOST,SIZE 9		
		3 PLACES	± .010	± .010	CHECKED BY: RDEROSS	DATE: 04/09/28	MOLEX INCORPORATED		
		2 PLACES	± 0.13	± .010	APPROVED BY: RDEROSS	DATE: 04/09/28	MATERIAL NO. SD-83611-001		
		1 PLACE	± 0.25	± .010	DRAFT WHERE APPLICABLE MUST REMAIN WITHIN DIMENSIONS		DOCUMENT NO. SD-83611-001		
		ANGULAR ± 1 °		SIZE: SEE CHART		SHEET NO. 1 OF 1			
				THIS DRAWING CONTAINS INFORMATION THAT IS PROPRIETARY TO MOLEX INCORPORATED AND SHOULD NOT BE USED WITHOUT WRITTEN PERMISSION					