

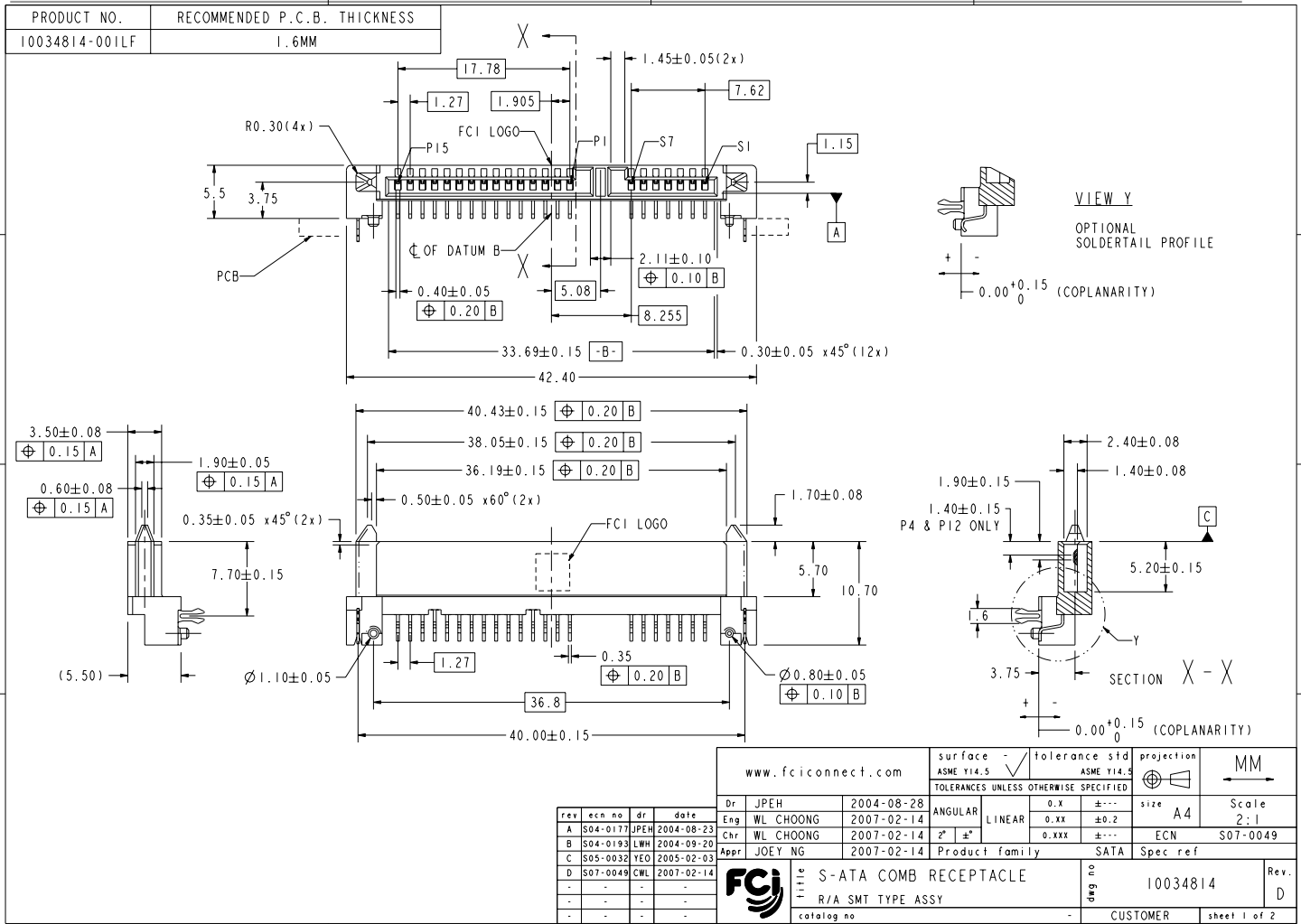
Excellent Integrated System Limited

Stocking Distributor

Click to view price, real time Inventory, Delivery & Lifecycle Information:

[FCI](#)
[10034814-001LF](#)

For any questions, you can email us directly:
sales@integrated-circuit.com



PDM: Rev:D

STATUS: Released

Printed: Nov 30, 2010

A

B

C

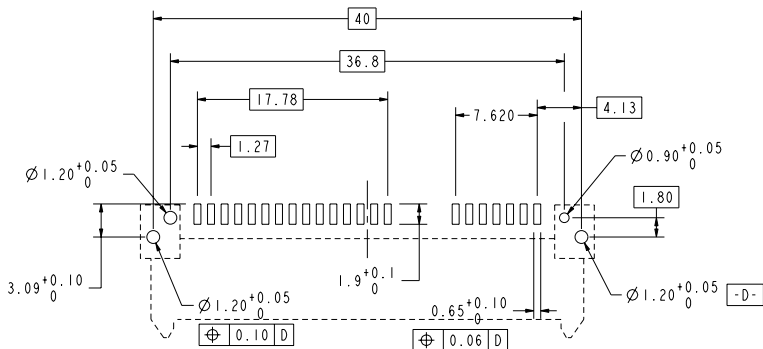
D

A

B

C

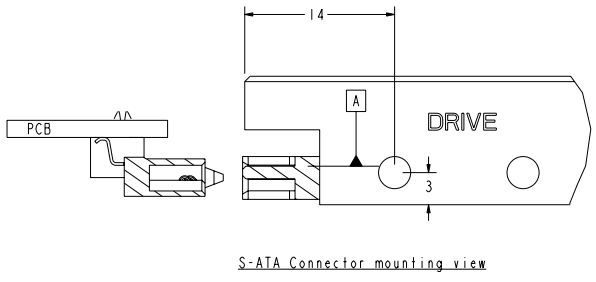
D



RECOMMENDED P.C.B. LAYOUT
 TOLERANCE UNLESS OTHERWISE : ±0.1

NOTES: -

1. MATERIAL:
 - 1) HOUSING : HIGH TEMP. THERMOPLASTIC, UL 94V-0
 - COLOR : BLACK
 - 2) TERMINAL : COPPER ALLOY
 - 3) HOLD DOWN : COPPER ALLOY
2. FINISH:
 - 1) TERMINAL : 30µ" Au PLATING (CONTACT POINT) OVER 50µ" MIN NICKEL
 - 2) SOLDER TAIL : 100µ" MIN TIN OVER 50µ" NICKEL
 - 3) HOLD DOWN : 100µ" MIN TIN OVER 50µ" NICKEL
3. TRUE POSITION APPLY AT TERMINAL TIP
4. THE STANDARD PACKAGING IS IN TRAY.
5. THE HOUSING WILL WITHSTAND EXPOSURE TO 260°C PEAK TEMPERATURE FOR 10 SECONDS IN A CONVECTION, INFRA-RED OR VAPOR PHASE REFLOW OVEN
6. THIS PRODUCT MEETS EUROPEAN UNION DIRECTIVES AND OTHER COUNTRY REGULATIONS AS DESCRIBED IN GS-22-008
7. PART NUMBERS ENDING IN "LF" ARE MEANT FOR LEAD-FREE IDENTIFICATION. P/N XXXXXXXX-XXXLF IS EQUIVALENT TO PREVIOUS P/N XXXXXXXX-XXX



S-ATA Connector mounting view

FCI	title	S-ATA COMB RECEPTACLE	desig no	10034814	Rev.	D
	catalog no	R/A SMT TYPE ASSY	CUSTOMER	sheet 2 of 2		

REV F - 2006-06-17

1

2



Copyright FCI.