

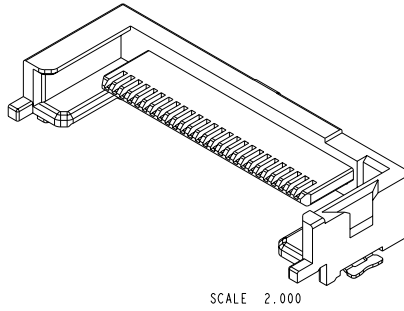
## Excellent Integrated System Limited

Stocking Distributor

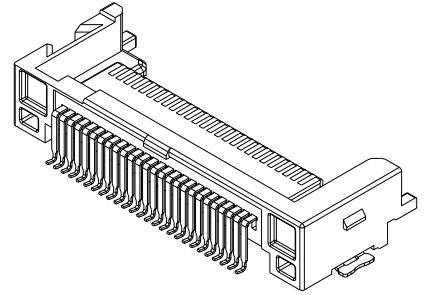
Click to view price, real time Inventory, Delivery & Lifecycle Information:

[FCI](#)  
[10056265-122ABTLF](#)

For any questions, you can email us directly:  
[sales@integrated-circuit.com](mailto:sales@integrated-circuit.com)



SCALE 2.000



SCALE 2.000

**NOTES :**

1. MATERIAL:  
 HOUSING: HIGH TEMPERATURE THERMOPLASTIC,  
 UL 94 V-0 FLAME RETARDANT.  
 TERMINAL: COPPER ALLOY.  
 PLATING SPEC. AS BELOW :  
 Ni 50u" UNDER PLATED.  
 Au OR GXT OVER CONTACT AREA. (ONE SIDE)  
 Tin 120u" OVER SOLDERING AREA.
2. PACKING SPEC. GS-14-924.
3. PRODUCT PERFORMANCE PER SPEC. GS-12-285.
4. PART NUMBER SCHEME: (EX. 10056265-222ABTMLF)  
 10056265-X XX X X X XLF (LEAD FREE PLATING)

SPEC.	OPTION (CODE)		
	WITH (M)	WITHOUT ( )	TUBE (P)
MYLAR			
PACKING	TRAY (S)	TAPE & REEL (T)	
HSG COLOR	BLACK (B)	NATURE (N)	
MOUNT SIDE	ABOVE (A)		
STAND-OFF	2.2 (22)		
PLATING	GOLD 30u" (1)	GXT 30u" (2)	
		GXT 15u" (4)	

5. RoHS COMPATIBLE PRODUCT SPECIFICATIONS

a-PLATING:

- "LF" MEANS THE PRODUCT IS LEAD-FREE, 2micro-meter MINIMUM MATTE TIN OVER  
 1.27micro-meter MINIMUM NICKEL UNDERPLATE.

b-MANUFACTURING PROCESS COMPATIBILITY

- THE HOUSING WILL WITHSTAND EXPOSURE TO 260°C±5°C SOLDER BATH TEMPERATURE FOR  
 5 SECONDS IN A REFLOW SOLDER APPLICATION WITH A 1.6mm MIN THICK CIRCUIT BOARD.



Copyright FCI.

www.fciconnect.com			surface	tolerance	std	projection	MM
			ANGULAR	LINEAR	ASME Y14.5	⊕	↔
			TOLERANCES UNLESS OTHERWISE SPECIFIED			size	Scale
			0.X	±0.50		A4	1.000
			0.XX	±0.30		ECN	N08-0069
			0.XXX	±		Spec ref	#
Dr	KENNY TAI	2005-05-12	Product family				
Eng	KENNY TAI	2005-05-12	TOP MOUNT, 2.2 S/O		diag no	10056265	Rev.
Chr	KENNY TAI	2005-05-12	HOST CONNECTOR ASSEMBLY				G
Appr	PAUL WANG	2005-05-12	catalog no		10056265	CUSTOMER	sheet 1 of 3
REV	ECN no	DR	DATE				
A	T05-0096	TAI	2005-05-23				
B	T05-0121	TAI	2005-06-03				
C	T05-0239	TAI	2005-10-19				
D	T05-0271	TAI	2005-12-08				
E	T05-0304	TAI	2005-12-30				
F	T06-0118	TAI	2006-06-15				
G	N08-0069	R.B	2008/04/21				

REV F - 2006-06-17

**PDM: Rev:G**

STATUS **Released**

4 Printed: Oct 12, 2010

PRODUCT NO.	NOTE
10056265-X22AXXXLF	TOOLED

A

B

C

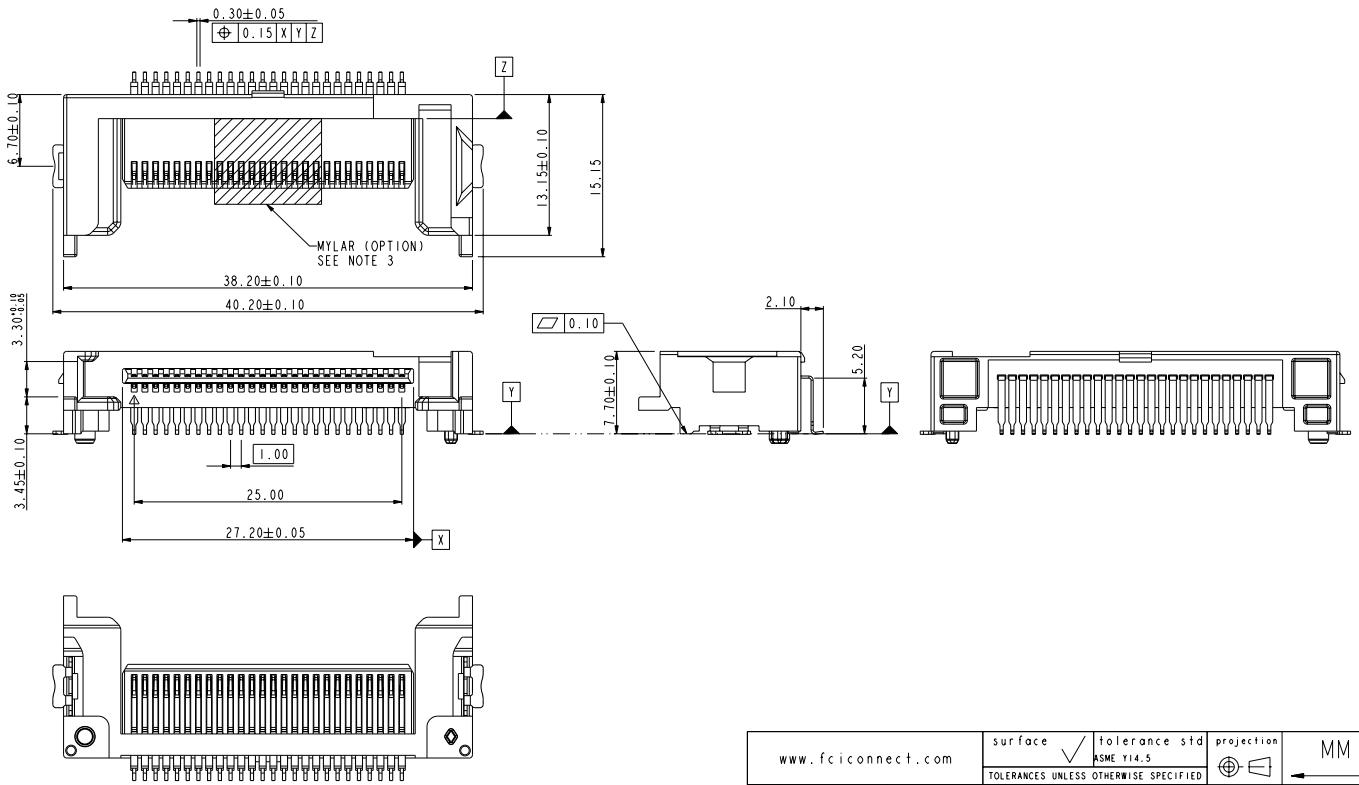
D

A

B

C

D



Copyright FCI.

www.fciconnect.com			surface	tolerance std	projection	MM
			✓	ASME Y14.5		
			TOLERANCES UNLESS OTHERWISE SPECIFIED			
Dr	KENNY TAI	2005-05-12	ANGULAR	0.X	±0.50	size A4
Eng	KENNY TAI	2005-05-12	LINEAR	0.XX	±0.30	Scale 1.000
Chr	KENNY TAI	2005-05-12	0° ±2°	0.XXX	±	ECN N08-0069
Appr	PAUL WANG	2005-05-12	Product family		Spec ref	
			TOP MOUNT, 2.2 S/O		dag no	10056265
			HOST CONNECTOR ASSEMBLY		Rev.	G
			catalog no	10056265	CUSTOMER	sheet 2 of 3

REV F - 2006-06-17

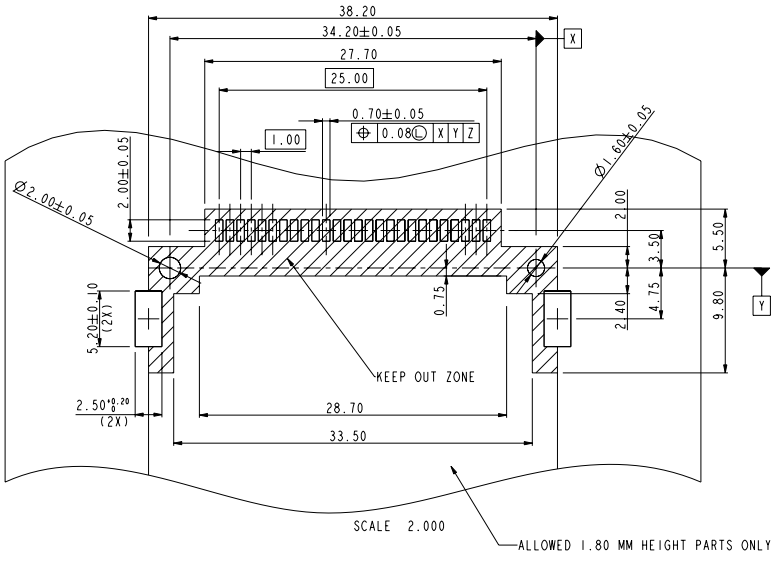
1

2

PDM: Rev:G

STATUS Released

4 Printed: Oct 12, 2010



Copyright FCI.

www.fciconnect.com			surface	tolerance	std	projection	MM
			✓	ASME Y14.5			
			TOLERANCES UNLESS OTHERWISE SPECIFIED				
Dr	KENNY TAI	2005-05-12	ANGULAR	0.X	±0.50	size	A4
Eng	KENNY TAI	2005-05-12	LINER	0.XX	±0.30	Scale	1.000
Chr	KENNY TAI	2005-05-12	0° ±2°	0.XXX	±	ECN	N08-0069
Appr	PAUL WANG	2005-05-12	Product family			Spec ref	#
			TOP MOUNT, 2.2 S/O		dag no	10056265	Rev.
			HOST CONNECTOR ASSEMBLY				G
			catalog no	10056265	CUSTOMER	sheet 3 of 3	

REV F - 2004-04-13