

Excellent Integrated System Limited

Stocking Distributor

Click to view price, real time Inventory, Delivery & Lifecycle Information:

[FCI](#)
[863001017TLF](#)

For any questions, you can email us directly:
sales@integrated-circuit.com

A

B

C

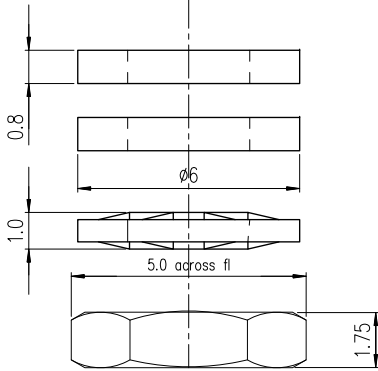
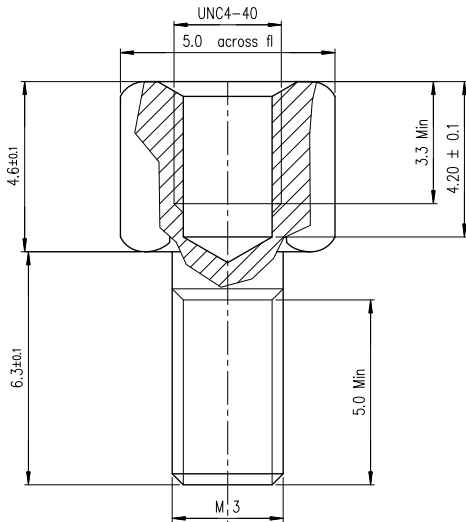
D

A

B

C

D



TECHNICAL CHARACTERISTICS :

- Compensating washer: steel , tin plated .
- Nuts : steel , tin plated .
- Packaging : per 100 pieces .
- Corrosion resistance : 24 hours exposure to salt spray .

PART NUMBER	Material female screw locks
863001017TLF	Brass,tin plated
86552154TLF	Steel,tin plated

NOTE:RoHS INFORMATIONS

- The "LF" products meet European union Directives and other country regulations as described in GS-22-008.
- Plating Sn (pure bright) over copper
- Packaging spec: see GS-14-920

Copyright FCI

FCI

European Views

www.fciconnect.com		surface ISO 1302 ✓	tolerance std ISO 406 ISO 1101	projection mm
TOLERANCES UNLESS OTHERWISE SPECIFIED				
Dr	JOUBERT	2002/03/12	ANGULAR	LINEAR
Eng	PESSON	2002/03/12	0.xx	±0.1
Chr	ABHILASH	2011/01/25	0.xx	±0.1
Appr	SUDHIR	2011/01/25	0.xxx	±0.1
Product family			D-SUB	Spec ref -
Title FEMALE SCREW LOCKS			Part no C01-8655-1557	Rev. G
D SUB ACCESSORIES			catalog no	CUSTOMER sheet 1 of 1

rev	ecn no	dr	date
B	-	JOU	2003/07/17
C	LS05-0026	MPE	2005/07/08
D	LS06-0097	LGO	2006/07/28
E	LS09-0006	PCR	2009/01/08
F	LS09-0063	PCR	2009/03/25
G	I111-0022	AMR	2011/01/25
-	-	-	-

REV F - 2006-04-17