

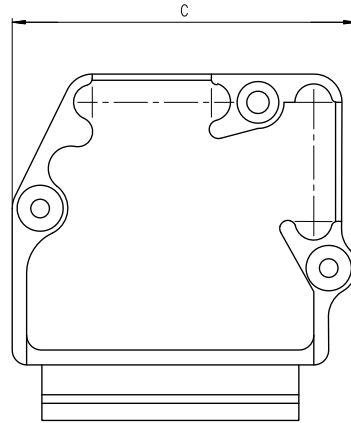
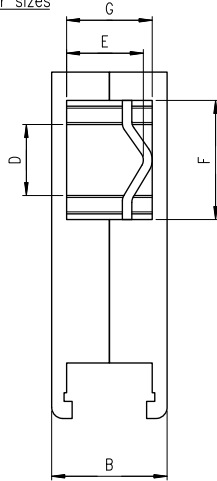
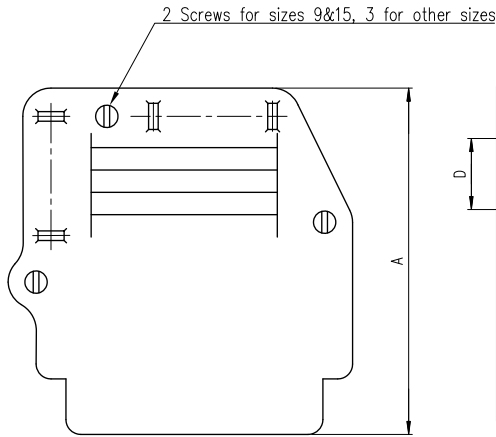
Excellent Integrated System Limited

Stocking Distributor

Click to view price, real time Inventory, Delivery & Lifecycle Information:

[FCI](#)
[863093C09ALF](#)

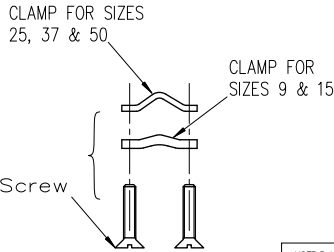
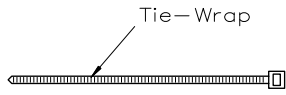
For any questions, you can email us directly:
sales@integrated-circuit.com



MATERIAL:
thermoplastic

TEMPERATURE RANGE:
- Climatic category -55/ +95

PACKAGING:
Box of 50 individual sets



| Bill of material | | |
|------------------|----------|--------------------|
| components | Hood kit | Kit for 2 exit use |
| 1/2 Hood | 2 | 0 |
| Screw | 2 | 2 |
| Tapping Screw | 3 | 0 |
| Tie Wrap | 1 | 1 |
| Clamp | 1 | 1 |

| Shell size | Number of contacts | A±0.3 | B±0.3 | C±0.3 | With clamp | | Without clamp | | PART NUMBER | | |
|------------|--------------------|-------|-------|-------|------------|------|---------------|-------|-------------|----------------------|-------------|
| | | | | | D±0.2 | E | F±0.5 | G±0.5 | Black hood | Kit for 2 exit use * | |
| E | 09 | 29.80 | 15.50 | 24.25 | 6.00 | 0.25 | 10.30 | 8.00 | 11.70 | 863093C09ALF | 863093CEALF |
| A | 15 | 29.80 | 15.50 | 32.50 | 6.00 | 0.25 | 10.30 | 8.00 | 11.70 | 863093C15ALF | |
| B | 25 | 46.80 | 15.50 | 46.00 | 13.90 | 2.30 | 10.30 | 16.20 | 11.70 | 863093C25ALF | 863093CBCLF |
| C | 37 | 46.80 | 15.50 | 60.50 | 13.90 | 2.30 | 10.30 | 16.20 | 11.70 | 863093C37ALF | |
| D | 50 | 48.80 | 18.00 | 56.50 | 15.60 | 3.90 | 12.60 | 18.00 | 14.00 | 863093C50ALF | 863093CDLF |

Dimensions are in millimeters

* additional accessories to be ordered separately

NOTE:RHS INFORMATIONS

- The "LF" product meets European union Directives and other country regulations as described in GS-47-0004.
- The product is not intended to be exposed to a manufacturing solder process.
- Packaging spec: see GS-14-920.

| | | | | |
|---------------------------------------|-------------|------------------|------------|------------------------|
| mat'l. code | surface | tolerance | projection | product family |
| - | ISO 1302 | ISO 406 ISO 1101 | MM | D-SUB |
| lfr | ecn no | dr | date | title |
| H | BLX-I-15087 | MP | 2013/06/27 | UNIVERSAL PLASTIC HOOD |
| J | BLX-I-15253 | MP | 2013/07/16 | |
| tolerances unless otherwise specified | | | | scale 2 |
| angles linear | | | | MM |
| .X±0.3 | | | | |
| .XX±0.1 | | | | |
| .XXX±0.05 | | | | |
| D | LS07-0321 | MPE | 2007/12/19 | dr |
| E | 109-0117 | AMR | 2009/06/26 | engd |
| F | 109-0161 | AMR | 2009/06/13 | chr |
| G | 111-0091 | AMR | 2011-05-14 | appd |
| sheet | | revision | J | |
| index | | sheet | 1 | |