

Excellent Integrated System Limited

Stocking Distributor

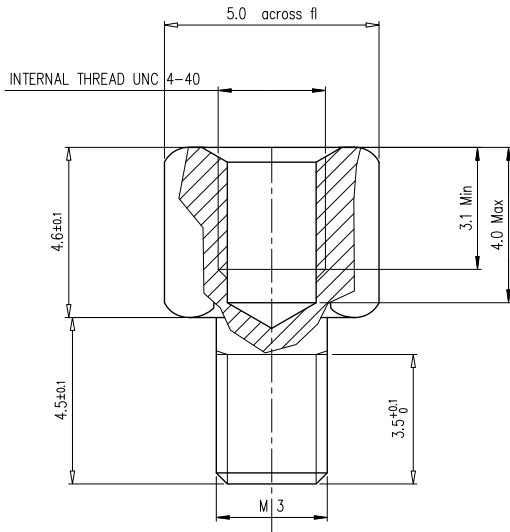
Click to view price, real time Inventory, Delivery & Lifecycle Information:

[FCI](#)
[86551167TLF](#)

For any questions, you can email us directly:
sales@integrated-circuit.com

TECHNICAL CHARACTERISTICS :

Female screw locks: steel, tin plated .
 Packaging : per 100 pieces .
 Corrosion resistance : 50 hour exposure to salt spray .



NOTE: RoHS INFORMATIONS

- The "LF" products meet European union Directives and other country regulations as described in GS-22-008.
- Plating Sn (pure bright) over copper
- Packaging spec: see GS-14-920

Part number 86551167TLF

European Views

www.fciconnect.com		surface ISO 1302 ✓	tolerance std ISO 406 ISO 1101	projection mm
TOLERANCES UNLESS OTHERWISE SPECIFIED				
Dr	JOUBERT	1995/10/16	ANGULAR	LINEAR
Eng	PESSON	1995/10/16	0.XX	±0.1
Chr	ABHILASH	2011/01/25	0.XX	±0.1
Appr	SUDHIR	2011/01/25	0.XX	±0.1
Product family			D-SUB	Spec ref -
Title FEMALE SCREW LOCKS			catg no	C01-8655-0684
D SUB ACCESSORIES			Rev.	F
catalog no			CUSTOMER	sheet 1 of 1

rev	ecn no	dr	date
B	-	JOU	1996/01/17
C	LS05-0026	MPE	2005/07/08
D	LS06-0097	LGO	2006/07/28
E	LS09-0006	PCR	2009/01/08
F	I11-0022	AMR	2011/01/25
-	-	-	-
-	-	-	-

Copyright FCI

REV F - 2006-04-17