

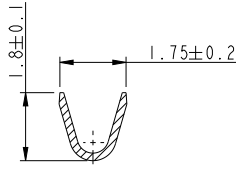
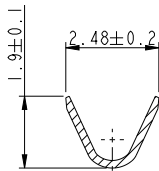
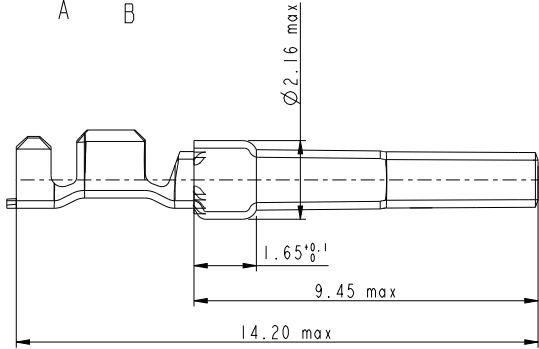
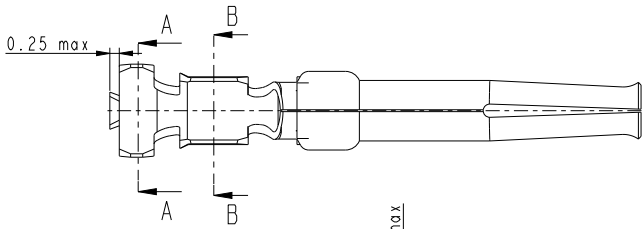
Excellent Integrated System Limited

Stocking Distributor

Click to view price, real time Inventory, Delivery & Lifecycle Information:

[FCI](#)
[8656353064LF](#)

For any questions, you can email us directly:
sales@integrated-circuit.com



SECTION A-A

SECTION B-B



NOTES:

- 1-Material:phosphor bronze,thickness 0.20
- 2-Finish on contact area:see table
finish on termination:bright tin over nickel
- 3-Wire range:20 to 24 AWG
- 4-Max outer dia of wire insulator:1.73 mm
- 5-Current carrying capacity per contact:
5 Amps max when crimped to #20 AWG
5 Amps max when crimped to #22 AWG
3 Amps max when crimped to #24 AWG
- 6-After 5 insertions into connector,
contact retention must be 5 pounds axial load min
- 7-When contact is crimped to 20 AWG,the insulation
support crimped height must be 1.78 mm max to ensure
a proper insertion into housing
- 6-Packaging:Box of 500 contacts

NOTE:ROHS INFORMATIONS

The LF products meet European union directives and other country regulations as described in GS-22-008
Terminations plating spec:2µm Nickel min + 2µm Sn min
Packaging spec: see GS-14-920

CORE RANGE	
8656353064LF	Flash Au
8656353064	Flash Au
PART NUMBER	Plating

www.fciconnect.com		surface ISO 1302	tolerance std ISO 406 ISO 1101	projection mm
Dr C JARRY 28/01/97		TOLERANCES UNLESS OTHERWISE SPECIFIED		mm
Eng		ANGULAR	0.X ±0.3	size A3 Scale 10:1
Chr		LINEAR	0.XX ±0.1	ECN 110-0070
Appr		0° ±2°	0.XXX ±0.05	Spec ref
Product family		-		
FCJ		TITLE CRIMP SOCKET		Rev. H
catalog no		#WIRE 20-24 in box 500 cts		Eng no C01-8656-0512
		customer		sheet 1 of 1

rev	ecn no	dr	date
E	LS06-196	MPE	27/11/2006
F	LS08-0127	MPE	13/05/2008
G	109-0152	AMR	2009-07-27
H	110-0070	AMR	2010-03-09

REV F - 2008-04-17

1

2

3

FDM: Rev:H STATUS Released

Printed: Apr 24, 2010



Copyright FCI.