

Excellent Integrated System Limited

Stocking Distributor

Click to view price, real time Inventory, Delivery & Lifecycle Information:

[FCI](#)
[10036355-001LF](#)

For any questions, you can email us directly:
sales@integrated-circuit.com

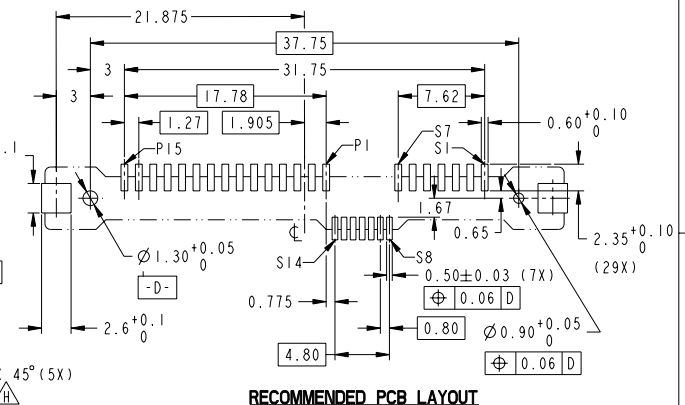
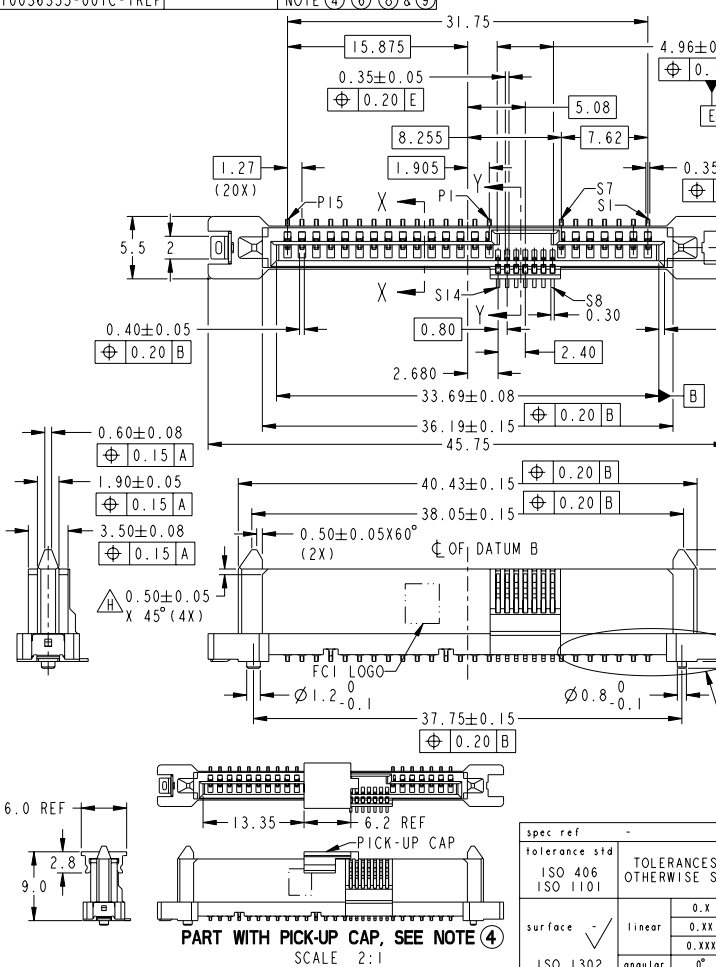
PRODUCT NO	METAL CLIP	REMARKS
10036355-001LF		NOTE (8) & (9)
10036355-001CLF	1 PC	NOTE (4) (8) & (9)
10036355-001C-TRLF		NOTE (4) (6) (8) & (9)

A

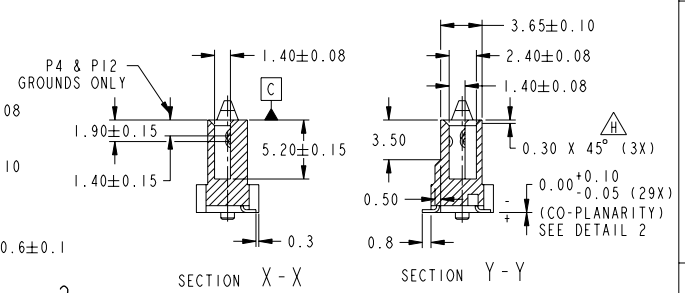
B

C

D



RECOMMENDED PCB LAYOUT

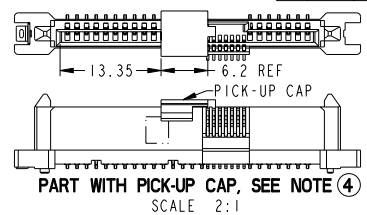


SECTION X-X

SECTION Y-Y



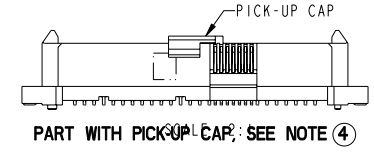
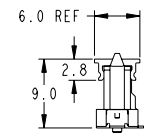
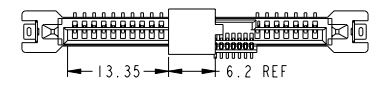
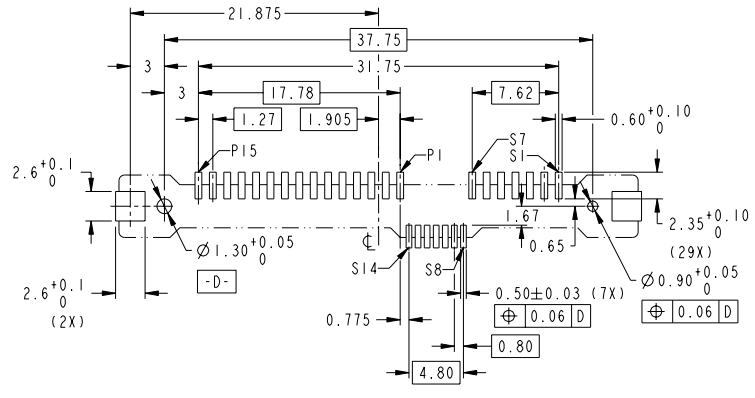
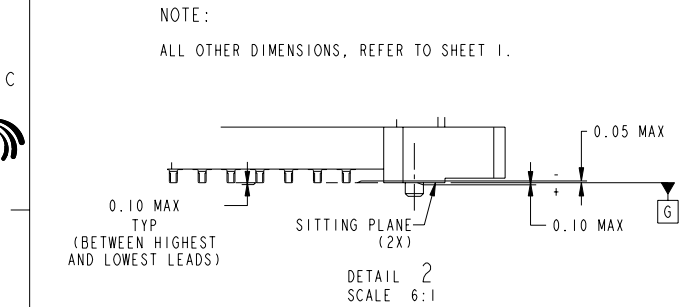
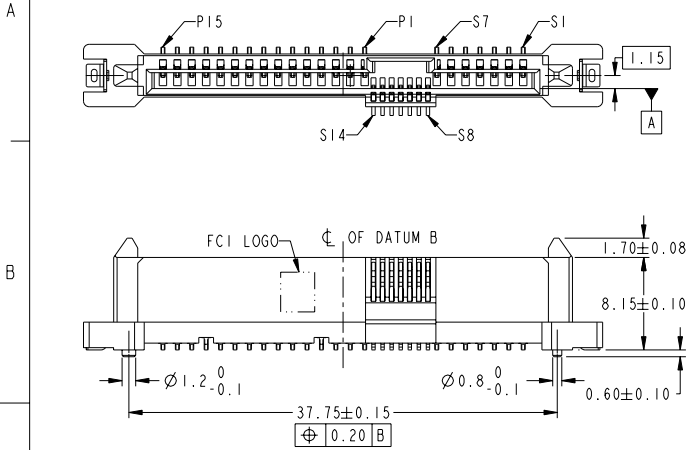
Copyright FCI.



PART WITH PICK-UP CAP. SEE NOTE (4)
SCALE 2:1

spec ref	-	dr	GL L00	2004-04-20	projection	MM	size	A3	scale	3:1
tolerance std	ISO 406 ISO 1101	eng	GL L00	2004-04-20		MM	A3	ecn no	S10-0228	rel level
TOLERANCES UNLESS OTHERWISE SPECIFIED		chr	GL L00	2010-10-28						
surface	linear	0.X	±				SAS RECEPTACLE VERTICAL SMT TYPE ASSY		cat. no. -	rev H
	angular	0°	±2°		www.fci.com		Product - Customer Drw		sheet 1 of 3	

PRODUCT NO	METAL CLIP	REMARKS
10036355-002LF		NOTE ⑧ & ⑨
10036355-002CLF	2 PCS	NOTE ④, ⑧ & ⑨
10036355-002C-TRLF		NOTE ④, ⑥, ⑧ & ⑨

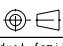
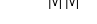



spec ref	-	dr	GL L00	2004-04-20	projection	MM	size	A3	scale	3:1		
tolerance std	ISO 406 ISO 1101	eng	GL L00	2004-04-20			ecn no	S10-0228	rel level	-		
TOLERANCES UNLESS OTHERWISE SPECIFIED		chr	GL L00	2010-10-28							product family	SAS
surface	linear	0.X	±-		FCI		title SAS RECEPTACLE VERTICAL SMT TYPE ASSY	dwg no 10036355	rev H			
		0.XX	±0.20		www.fci.com	cat. no.				-	Product - Customer Drw	sheet 2 of 3
	angular	0°	±2°									

Copyright FCI.

NOTES:

1. MATERIAL :
 - 1) HOUSING : HIGH TEMP THERMOPLASTIC, UL 94V-0, COLOR BLACK
 - 2) TERMINAL : COPPER ALLOY
 - 3) HOLD DOWN : COPPER ALLOY
2. FINISH :
 - 1) TERMINAL : 30μ" Au PLATING (CONTACT POINT) OVER 50μ" NICKEL
 - 2) SOLDER TAIL : 100μ" MIN Sn OVER 50μ" NICKEL
 - 3) HOLD DOWN : 100μ" MIN Sn OVER 50μ" NICKEL
- ③ PER SFF REV 1.1
- ④ PART WITH PICK-UP CAP, P/N XXXXXXXX-XXXX LF.
- ⑤ THE STD PACKAGING IS IN TRAY
- ⑥ FOR TAPE & REEL PACKAGING, SUFFIX "-TR" ADDED
P/N: XXXXXXXX-XXXX-TR LF
7. THE HOUSING WILL WITHSTAND EXPOSURE TO 260°C PEAK TEMPERATURE FOR 10 SECONDS IN A CONVECTION, INFRA-RED OR VAPOR PHASE REFLOW OVEN.
- ⑧ THIS PRODUCT MEETS EUROPEAN UNION DIRECTIVES AND OTHER COUNTRY REGULATIONS AS DESCRIBED IN GS-22-008.
- ⑨ PART NUMBERS ENDING IN "LF" MEANS FOR NOTE 8 LEAD FREE IDENTIFICATION THE EQUIVALENT P/N FOR "LF" DESIGNATION.
~~(i) XXXXXXXX-XXXLF IS SAME AS XXXXXXXX-XXX~~
~~(ii) XXXXXXXX-XXXLF IS SAME AS XXXXXXXX-XXXC~~
~~(iii) XXXXXXXX-XXXC-TRLF IS SAME AS XXXXXXXX-XXXC-TR~~
- ⚠ 10. A ⚠ SYMBOL WILL BE NEXT TO ANY DIMENSION, VIEW, OR NOTE WHICH HAS BEEN MODIFIED WITH THE CURRENT DRAWING REVISION.

spec ref	-	dr	GL L00	2004-04-20	projection	MM	size	A3	scale	3:1								
tolerance std	ISO 406 ISO 1101	eng	GL L00	2004-04-20			ecn no	S10-0228	rel level	-								
TOLERANCES UNLESS OTHERWISE SPECIFIED		chr	GL L00	2010-10-28							product family	SAS						
surface	<table border="1"> <tr> <td>linear</td> <td>0.X</td> <td>±</td> <td>-</td> </tr> <tr> <td></td> <td>0.XX</td> <td>±0.20</td> <td></td> </tr> <tr> <td></td> <td>0.XXX</td> <td>±</td> <td>-</td> </tr> </table>	linear	0.X	±	-		0.XX	±0.20			0.XXX	±	-		TITLE SAS RECEPTACLE VERTICAL SMT TYPE ASSY		dwg no 10036355	rev H
linear	0.X	±	-															
	0.XX	±0.20																
	0.XXX	±	-															
ISO 1302	<table border="1"> <tr> <td>angular</td> <td>0°</td> <td>±2°</td> <td></td> </tr> </table>	angular	0°	±2°		www.fci.com	cat. no. -	Product - Customer Drw	sheet 3 of 3									
angular	0°	±2°																

Prod File - REC - 2009-04-09

2

3

PDS: Rev :H

STATUS:Released

Printed: Nov 01, 2011



Copyright FCI.