

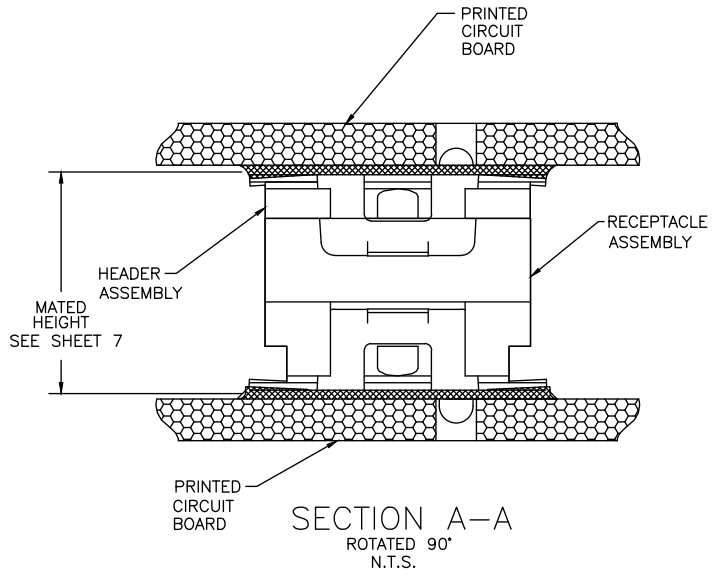
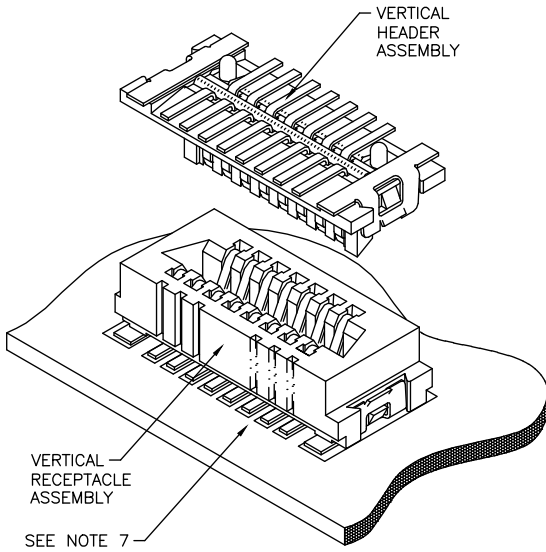
Excellent Integrated System Limited

Stocking Distributor

Click to view price, real time Inventory, Delivery & Lifecycle Information:

[FCI](#)
[91910-21109LF](#)

For any questions, you can email us directly:
sales@integrated-circuit.com



mat'l. code	surface	tolerance	projection	product family					
	ISO 1302	ISO 406	ISO 1101	CONAN					
ltr	ecn no	dr	date	tolerances unless otherwise specified					
AG	EX-N-14208	GM	03/07/13	XXX.01/XXX.03					
AH	EX-N-22454	EH	10/11/15	angles linear XXX.05/XXX.13					
AJ	-	EH	12/12/15	0°±2° XXXX.0020/XXXX.005					
-	-	-	-	dr Eric Huang 10/11/15					
AD	M06-0373	MHT	09/26/06	enrg Eric Huang 10/11/15					
AE	M08-0012	AGS	01/11/08	chr					
AF	M08-0287	MHT	10/02/08	appd Tim Yao 10/11/15					
sheet	revision	AG	AG	AG	AG	AG	AG	AG	AG
index	sheet	1	2	3	4	5	6	7	

product family	CONAN
title	CONAN CONNECTOR ASSEMBLY
dwg no	91900
sheet 1 of 7	size A3
type	Product Customer Drawing

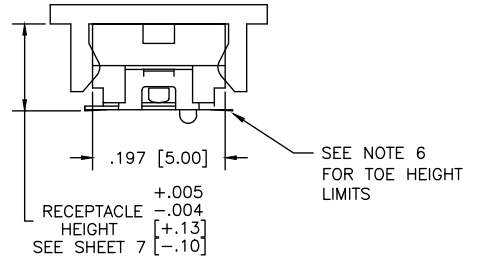
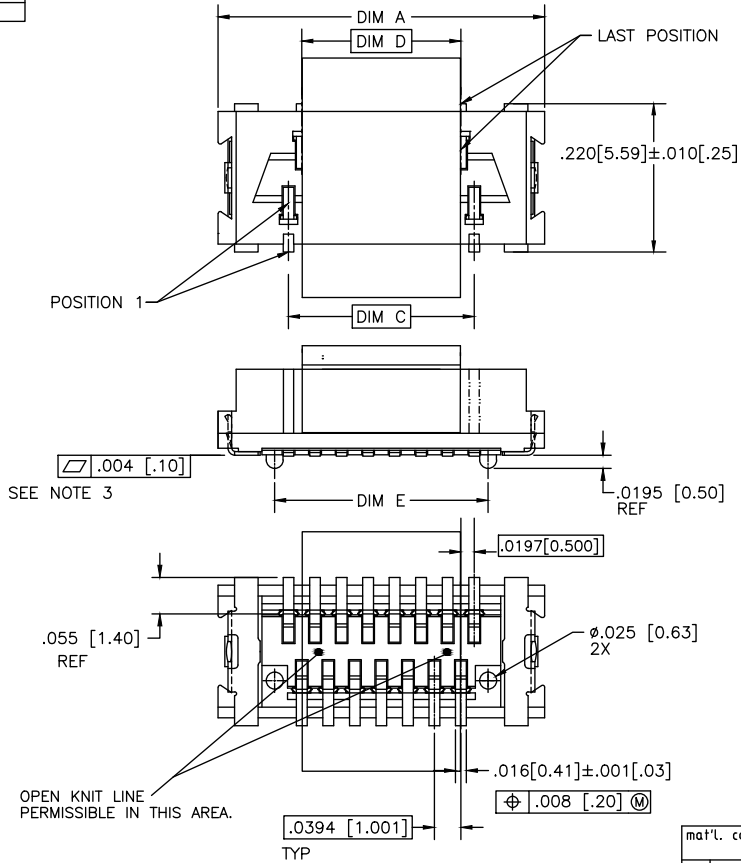
4 PDS: Rev :AJ STATUS: Released Printed: Dec 24, 2015

FCI
FCIconnect.com

Copyright FCI

form: A3

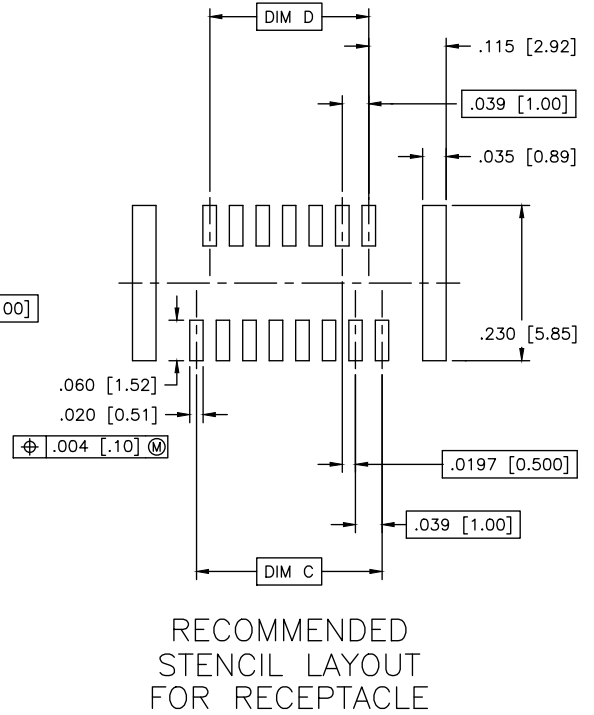
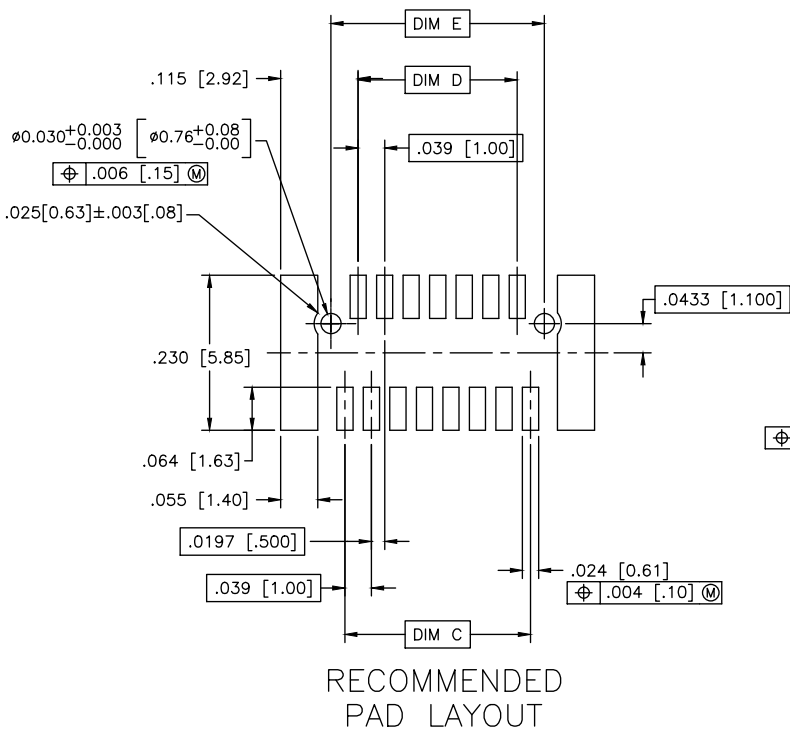
PRODUCT NUMBER
SEE TABLE



mat'l. code	surface ISO 1302	tolerance ISO 406 ISO 1101	projection INCH/MM	product family CONAN®
ltr ecn no dr date	tolerances unless otherwise specified		scale 5:1	title CONAN® CONNECTOR ASSEMBLY
AJ	angles 0°±2°	linear XXX±.01/XXX±.03 XXX±.005/XXX±.013 XXX±.0020/XXX±.005		dwg no 91900
	dr Eric Huang	11/10/15		sheet 2 of 7 size A3
	engr Eric Huang	11/10/15		type Product Customer Drawing
	chr			
	appd Tim Yao	11/10/15		
sheet index	revision sheet			

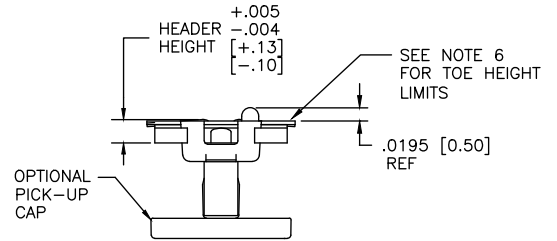
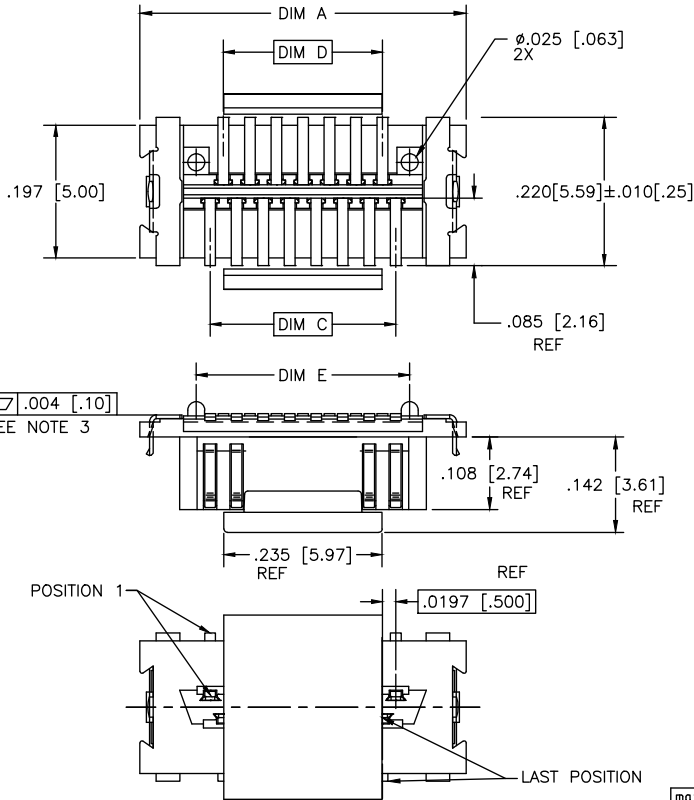
FCIconnect.com
Copyright FCI

PRODUCT NUMBER
SEE TABLE



mat'l. code	surface	tolerance	projection	product family
	ISO 1302	ISO 406	ISO 1101	CONAN®
ltr	ecm	no	dr	date
AJ				
tolerances unless otherwise specified				title
angles	linear	XXX.X/XXX.3	INCH/MM	CONAN® CONNECTOR ASSEMBLY
0°±2°		XXX.X/002/XXX.X/0.05	scale 5:1	dwg no
dr	Eric Huang	11/10/15		sheet 3 of 7
engr	Eric Huang	11/10/15		size
chr				A3
appd	Tim Yao	11/10/15		type
sheet index	revision sheet			Product Customer Drawing

PRODUCT NUMBER
SEE TABLE

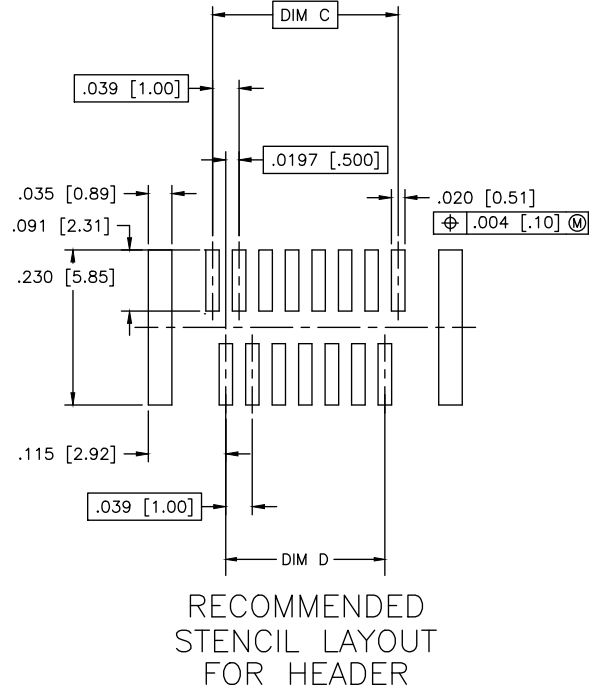
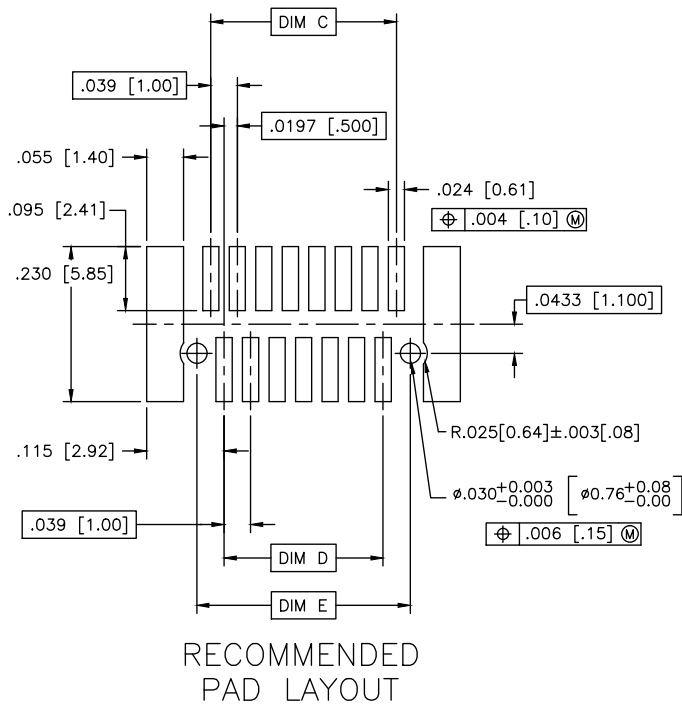


FCI
FCIconnect.com

Copyright FCI

mat'l. code	surface	tolerance	projection	product family
ISO 1302	ISO 406	ISO 1101	ISO 10	CONAN®
ltr	ecn	no	dr	date
AJ				
tolerances unless otherwise specified				title
angles	linear	XX±.01/XX±0.3	INCH/MM	CONAN® CONNECTOR ASSEMBLY
0°±2°		XXXX±.005/XXXX±0.13	scale 5:1	dwg no
		XXXX±.0020/XXXX±0.05		91900
dr	Eric Huang	11/10/15	FCI	sheet 4 of 7
enrg	Eric Huang	11/10/15		size
chr				A3
appd	Tim Yao	11/10/15		type
Product Customer Drawing				
sheet index	revision sheet			

PRODUCT NUMBER
SEE TABLE



mat'l. code	surface ISO 1302	tolerance ISO 406 ISO 1101	projection INCH/MM	product family CONAN®
ltr AJ	ecn	no	dr	date
tolerances unless otherwise specified			title CONAN® CONNECTOR ASSEMBLY	
angles	linear	XX1.01/XX10.3	scale 5:1	
Ø±2°	linear	XXX1.05/XX10.13	dwg no 91900	
dr	Eric Huang	11/10/15	sheet 5 of 7	
engr	Eric Huang	11/10/15	size A3	
chr		11/10/15	type Product Customer Drawing	
appd	Tim Yao	11/10/15	FCI	
sheet index	revision sheet			

PRODUCT NUMBER	POS	DIM "A"	DIM "C"	DIM "D"	DIM "E"
919TC-WXY09	9	.366 [9.30]	.157 [4.00]	.118 [3.00]	.1990 [5.055]
↑ -WXY09LF					
-WXY11	11	.406 [10.30]	.197 [5.00]	.157 [4.00]	.2380 [6.045]
-WXY15	15	.484 [12.30]	.276 [7.00]	.236 [6.00]	.3170 [8.052]
-WXY15LF					
-WXY21	21	.602 [15.30]	.394 [10.00]	.354 [9.00]	.4350 [11.049]
-WXY25	25	.681 [17.30]	.472 [12.00]	.433 [11.00]	.5140 [13.056]
-WXY25LF					
-WXY31	31	.800 [20.30]	.591 [15.00]	.551 [14.00]	.6320 [16.053]
-WXY41	41	.996 [25.30]	.787 [20.00]	.748 [19.00]	.8290 [21.057]
-WXY41LF					
-WXY51	51	1.193 [30.30]	.984 [25.00]	.945 [24.00]	1.0260 [26.060]
-WXY51LF					
-WXY69	69	1.547 [39.30]	1.339 [34.00]	1.299 [33.00]	1.3800 [35.052]
↓ -WXY69LF					

NOTES:

- MATERIALS:
 RECEPTACLE HOUSING - LCP, UL-94V-0. COLOR: NATURAL.
 RECEPTACLE TERMINALS - COPPER ALLOY, PLATED WITH 15u"/.38u GXT™ IN CONTACT AREA AND 100u"/2.54u Sn ON SOLDER LEGS WITH AN OVERALL 50u"/1.27u Ni UNDERPLATE.
 HEADER HOUSING - LCP, UL-94V-0. COLOR: NATURAL.
 HEADER TERMINALS - COPPER ALLOY, PLATED WITH 15u"/.38u GXT™ IN CONTACT AREA AND 100u"/2.54u Sn ON SOLDER LEGS WITH AN OVERALL 50u"/1.27u Ni UNDERPLATE.
 RETENTION DEVICE - BRASS, PLATED WITH 100u"/2.54u Sn OVER NICKEL.
- REFERENCE GS-12-006 FOR PRODUCT PERFORMANCE DATA.
- SEE TA-774 FOR FURTHER DESCRIPTION OF HOW THIS DIMENSION IS APPLIED.
- PICK AND PLACE CAP OR TAPE IS ONLY AVAILABLE WITH OPTION 3 PACKAGING. (PSA ADHESIVE SEALED). ALSO, PSA PACKAGING REQUIRES A PICK AND PLACE CAP.
- RECOMMENDED SOLDER PASTE THICKNESS IS .006 TO .008 INCHES THICK.
- THE TOE HEIGHT OF THE SOLDER TAIL SHALL BE MEASURED FROM THE LOWEST POINT OF THE .004 CO-PLANARITY GRAVITY PLANE. THIS MEASUREMENT IS NOT TO EXCEED A WINDOW OF .000 TO .007 INCHES.
- THREE SLOTS MAY BE LOCATED AT EITHER END OF HOUSING.
- 5.50mm MATED HEIGHT IS ONLY AVAILABLE IN 9, 15 AND 31 POS.
- 7.50mm MATED HEIGHT IS ONLY AVAILABLE IN 9 POS.
- APPLIES TO 91921-3XYZZ AND 91931-3XYZZ OPTIONS ONLY.
- THE HOUSING WILL WITHSTAND EXPOSURE TO 260°C PEAK TEMPERATURE FOR 30 SECONDS IN A CONVECTION INFRA RED OR VAPOR PHASE REFLOW OVEN. SEE APPLICATION/PROCEDURES IF THEY ARE AVAILABLE
- PRODUCT WITH "LF" AT THE END MEETS EUROPEAN UNION DIRECTIVES AND OTHER COUNTRY REGULATION AS DESCRIBED IN GS-22-008.

mat'l. code		surface ISO 1302 ✓ ISO 406 ISO 1101		tolerance ISO 406 ISO 1101		projection INCH/MM		product family CONAN®	
ltr	ecr no	dr	date	tolerances unless otherwise specified		INCH/MM		title	
AJ				angles	linear	scale 5:1		CONAN® CONNECTOR ASSEMBLY	
				dr	Eric Huang	11/10/15		dwg no sheet 6 of 7 size	
				enr	Eric Huang	11/10/15		91900 A3	
				chr	-	-		type Product Customer Drawing	
				appd	Tim Yao	11/10/15			
sheet	revision								
index	sheet								

Copyright FCI
 FCIconnect.com

PRODUCT NUMBER
SEE TABLE

CONAN® ASSEMBLY PART NUMBER

919 T C - W X Y ZZ LF

LEAD FREE OPTION
SEE NOTE 12

TYPE	T
HEADER WITH NO PEGS	0
HEADER WITH PEGS	1
RECEPTACLE WITH NO PEGS	2
RECEPTACLE WITH PEGS	3

PICK AND PLACE CAP OR TAPE (NOTE 4)	C
WITHOUT CAP OR TAPE	0
WITH CAP	1
WITH TAPE (RECEPTACLE ONLY)	2

PACKAGING	W
TUBE	2
PRESSURE SEALED TAPE & REEL	3

NOTE 4

Y	HEADER HEIGHT	RECEPTACLE HEIGHT	MATED HEIGHT	+0.010 -0.008 [+.25] [-.20]
1	.034 [.86]	.129 [3.28]	.163 [4.15]	
2	.048 [1.23]		.177 [4.50]	
3	.068 [1.73]		.197 [5.00]	
4	.107 [2.72]	SEE Y=1 FOR ALL RECEPTACLES	.236 [6.00]	
5	.1465 [3.721]		.276 [7.00]	
* 6	.088 [2.23]		.216 [5.50]	
** 7	.1665 [4.229]		.296 [7.52]	

* NOTE 8
** NOTE 9

X	PLATING
1	15u"/.38u GXT™
2	30u"/.76u GXT™

ZZ	NUMBER OF POSITIONS
09	9
11	11
15	15
21	21
25	25
31	31
41	41
51	51
69	69

EXAMPLE: 91921-31125LF
 IS A CONAN® RECEPTACLE ASSEMBLY,
 HAVING NO PEGS AND WITH A PICK AND PLACE CAP.
 IT ALSO HAS GXT™ PLATING, IS .13 [3.2] HIGH AND 25
 POSITIONS AND IS PACKAGED IN PRESSURE SEALED TAPE,
 REEL AND LEAD FREE.

mat'l. code		surface ISO 1302		tolerance ISO 406 ISO 1101		projection		product family CONAN®	
lfr	ecr no	dr	date	tolerances unless otherwise specified		INCH/MM		title CONAN® CONNECTOR ASSEMBLY	
AJ				angles	linear	scale 5:1		dwg no 91900	
				0°±2"	XXX±.01/XXX±.03 XXX±.005/XXX±.013 XXX±.002/XXX±.005			sheet 7 of 7 size A3	
		dr	Eric Huang	11/10/15				type Product Customer Drawing	
		enr	Eric Huang	11/10/15					
		chr	-	-					
		appd	Tim Yao	11/10/15					
sheet index	revision sheet								

PDS: Rev :AJ

STATUS: Released

Printed: Dec 24, 2015



Copyright FCI

form: A3