

Excellent Integrated System Limited

Stocking Distributor

Click to view price, real time Inventory, Delivery & Lifecycle Information:

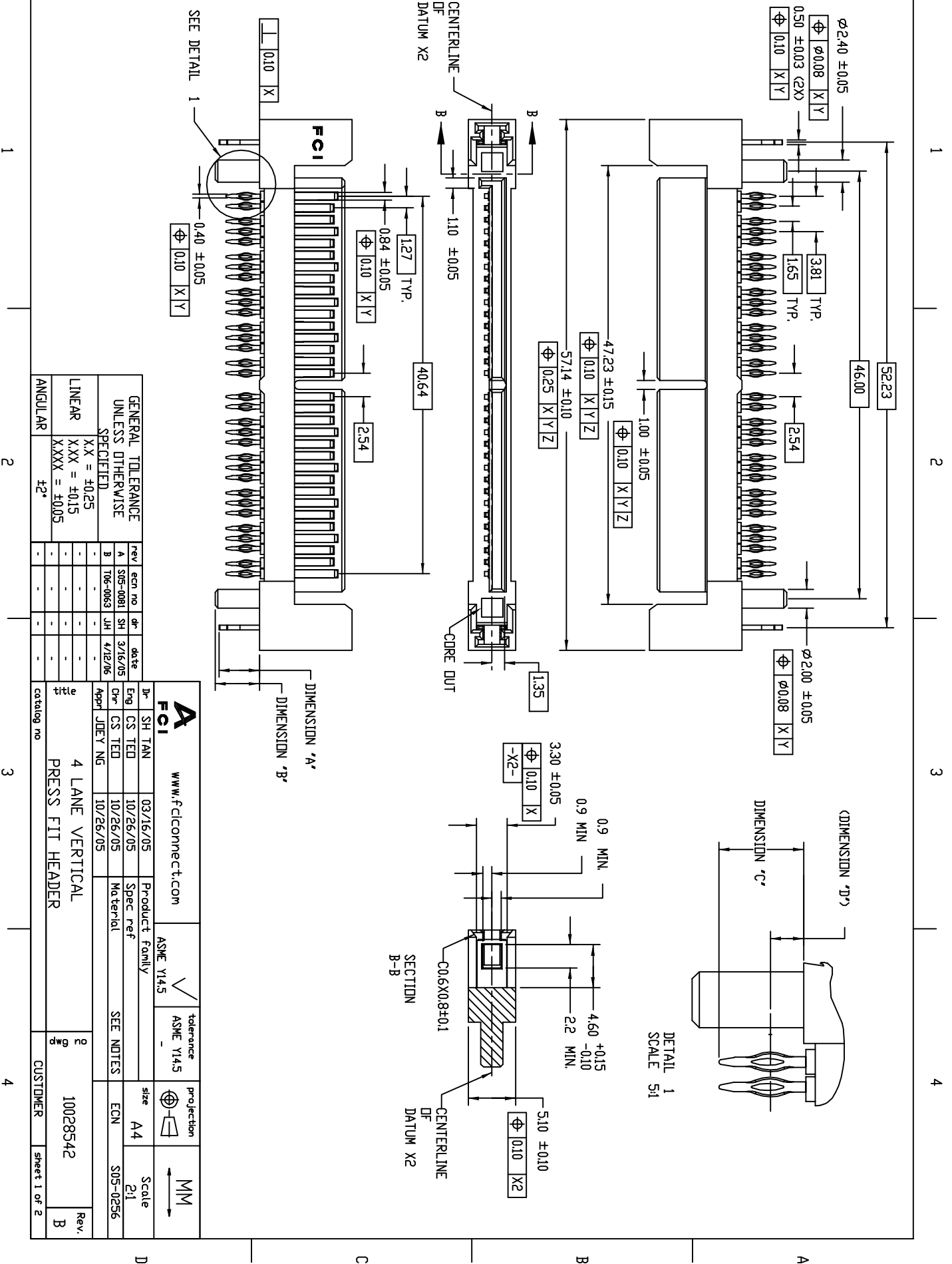
[FCI](#)
[10028542-001LF](#)

For any questions, you can email us directly:
sales@integrated-circuit.com



All rights strictly reserved. Reproduction or issue to third parties in any form whatever is not permitted without written authority from the proprietor.
 Property of FCI. Copyright FCI.

Tous droits strictement reserves. Reproduction ou communication a des tiers interdite sous quelque forme que ce soit sans autorisation écrite du propriétaire.
 Propriete de c FCI. Droits de reproduction FCI.



| | | | | | |
|--|----------|-------|---------|----|------|
| GENERAL TOLERANCE UNLESS OTHERWISE SPECIFIED | | rev | ecm no | dr | date |
| A | S05-0091 | SH | 3/16/05 | | |
| B | T06-0063 | JH | 4/12/06 | | |
| LINEAR | | X.X | = ±0.25 | | |
| ANGULAR | | X.XXX | = ±0.15 | | |
| | | X.XXX | = ±0.05 | | |
| | | ±2° | | | |

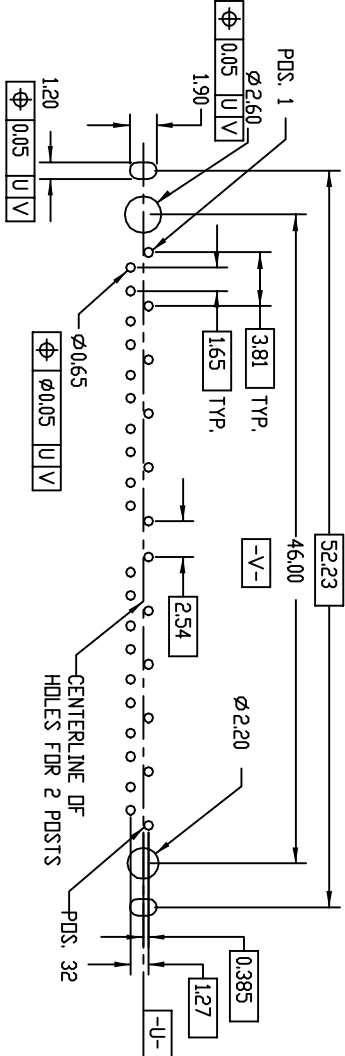
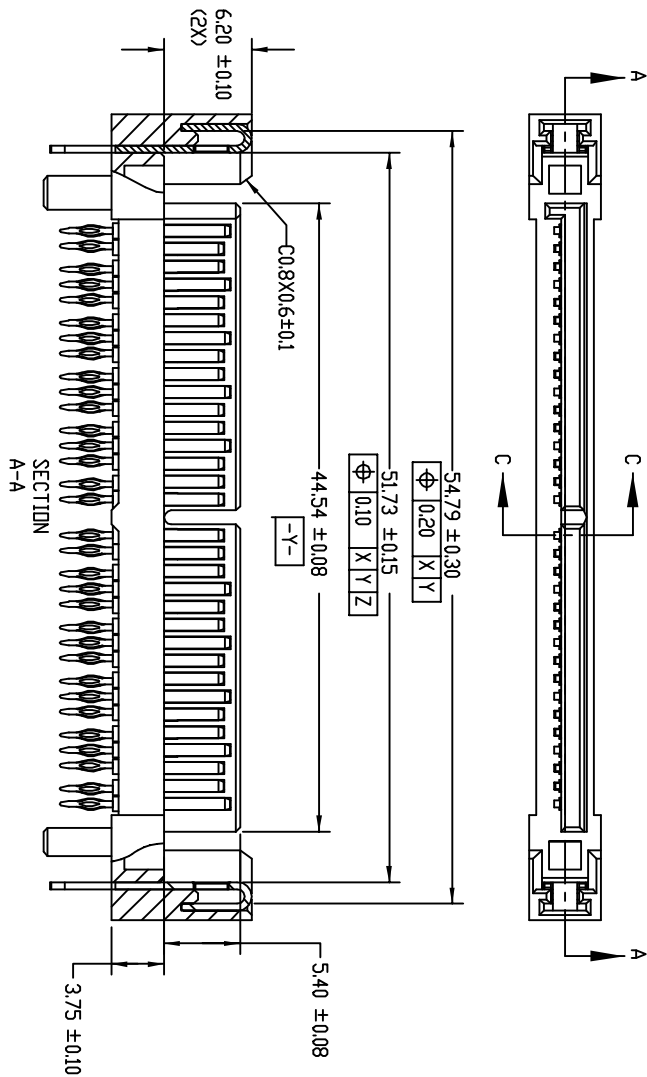
| | | | | | | | | | | | |
|------|---------|--------------------|----------|------------|-----------|----------------------|----------|------------|----------------------------------|----------|------|
| FCI | | www.fciconnect.com | | ASME Y14.5 | | tolerance ASME Y14.5 | | projection | | Scale | |
| Dr | SH TAN | 03/16/05 | Product | family | SEE NOTES | size | A4 | ECN | S05-0256 | Scale | 2:1 |
| Eng | CS TED | 10/26/05 | Spec ref | Material | SEE NOTES | ECN | S05-0256 | Appr | JOEY NG | 10/26/05 | Rev. |
| Chr | CS TED | 10/26/05 | Material | | | | | title | 4 LANE VERTICAL PRESS FIT HEADER | | B |
| Appr | JOEY NG | 10/26/05 | | | | | | catalog no | 10028542 | | Rev. |
| | | | | | | | | | CUSTOMER | 10028542 | B |
| | | | | | | | | | sheet 1 of 2 | | |

All rights strictly reserved. Reproduction or issue to third parties in any form whatever is not permitted without written authority from the proprietor. Property of FCI. Copyright FCI.



Tous droits strictement reserves. Reproduction ou communication a des tiers interdite sous quelque forme que ce soit sans autorisation ecrite du proprietaire. Propriete de c FCI. Droits de reproduction FCI.

| PRODUCT NO. | PCB THICKNESS | DIMENSION 'A' | DIMENSION 'B' | DIMENSION 'C' | DIMENSION 'D' |
|----------------|---------------|---------------|---------------|---------------|---------------|
| 10028542-001LF | 1.57±0.10 | 2.75±0.20 | 3.20±0.10 | 3.65±0.10 | 1.43±0.10 |
| 10028542-002LF | 3.18±0.10 | 4.35±0.20 | 4.80±0.10 | 3.65±0.10 | 1.43±0.10 |
| 10028542-003LF | 1.57±0.10 | 2.75±0.20 | 3.20±0.10 | 2.10±0.10 | 0.79±0.10 |



RECOMMENDED PCB LAYOUT
 (ALL TOLERANCES ARE ±0.05)

NOTES

- MATERIAL:
HOUSING: HIGH TEMPERATURE PLASTIC, BLACK OR GRAY, UL94V-0
CONTACT: COPPER ALLOY
HOLD DOWN: COPPER ALLOY
- FINISH:
1.27µm MIN NICKEL UNDERPLATE OVERALL,
1.91µm MIN TIN (LEAD-FREE) ON SOLDER TAIL,
0.76µm MIN GOLD IN CONTACT AREA
- THIS PRODUCT MEETS EUROPEAN UNION DIRECTIVES AND OTHER COUNTRY REGULATIONS AS DESCRIBED IN GS-22-008
- THE HOUSING WILL WITHSTAND EXPOSURE TO 260°C PEAK TEMPERATURE FOR 10 SECONDS IN A CONVECTION, INFRA-RED OR VAPOR PHASE REFLOW OVEN
- CONTACT WIPE: 207 MIN FOR SIGNAL AND 252 MIN FOR GROUND

title
 4 LANE VERTICAL
 PRESS FIT HEADER

catalog no

10028542

Rev.
 B

1

2

3

4

1

2

3

4

D

C

B

A