

Excellent Integrated System Limited

Stocking Distributor

Click to view price, real time Inventory, Delivery & Lifecycle Information:

[FCI](#)

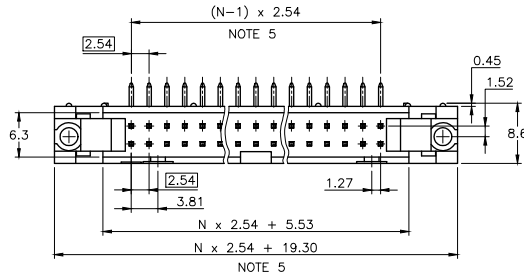
[71922-110LF](#)

For any questions, you can email us directly:

sales@integrated-circuit.com

PRODUCT NUMBER
71922-YXXZLF

- RoHS COMPATIBLE, SEE NOTE 10
- = STANDARD HOUSING COLOR GREY (WITHOUT OPTIONAL LETTER)
- B= OPTIONAL HOUSING COLOR BLACK
- S= SPECIFIC CUSTOMER PLATING OPTION HOUSING COLOR GREY
- TOTAL NB OF POSITIONS, SEE SHEET 2
- LATCHING
 - 0= WITHOUT LATCH
 - 1= STANDARD LATCH
 - 2= LOW PROFILE LATCH



NOTES:

- 1 - HOUSING MAT'L : GLASS FILLED THERMOPLASTIC. UL94V-0
- 2 - PIN MATERIAL : PHOSPHOR BRONZE
- 3 - PRODUCT PACKAGED IN TUBES
- 4 - 40N MIN LATCH RETENTION FORCE AT FIRST EXTRACTION
- 5 - TO DETERMINE DIMENSIONS :
N = NUMBER OF POSITIONS PER ROW
EXAMPLE : 8 POS N x 2.54 = 20.32mm
- 6 - NO CENTRAL SLOT ON POSITIONS 6 & 8
- 7 - NO LEFT POLARIZATION ON POSITIONS 06, 08, 10, 14.
- 8 - NO GROOVE ON POSITIONS 06, 08, 10, 14, 30, 34
- 9 - 4.5mm SOLDER TAIL
ORDER 71922-4XX (WITH STANDARD LATCH ONLY)
ORDER 71922-5XX (WITH LOW PROFILE LATCH ONLY)
- 10 - RoHS COMPATIBLE PRODUCT SPECIFICATIONS

a - PLATING:

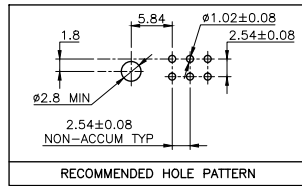
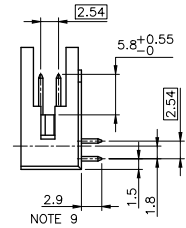
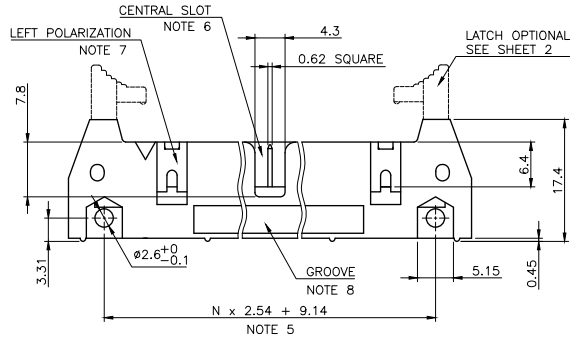
- "LF" MEANS THE PRODUCT IS LEAD-FREE, 2µm MINIMUM MATTE TIN OVER 1.27µm MINIMUM NICKEL UNDERPLATE.

b - MANUFACTURING PROCESS COMPATIBILITY

- THE HOUSING WILL WITHSTAND EXPOSURE TO 260°C ±5°C SOLDER BATH TEMPERATURE FOR 5 SECONDS IN A WAVE SOLDER APPLICATION WITH A 1.6mm MIN THICK CIRCUIT BOARD.

c - LABELING:

- MEETS PACKAGING SPECS AS PER GS-14-920
- LEGAL STATEMENT: SEE GS-47-0004.



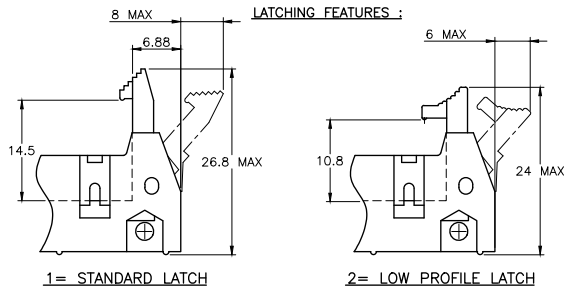
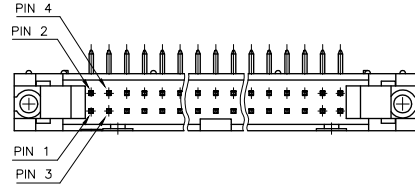
mat'l. code	surface	tolerance	projection	product family
SEE NOTES	ISO 1902	ISO 406	ISO 1101	QUICKIE
Ltr	ecn no	dr	date	title
V	F10-0054	LMU	10.05.19	SHR.EL.HEADER
W	B-16776	LMU	14.01.23	RA DR TMT
X	B-18018	JCO	14.06.19	
Y	B-18236	LMU	14.07.08	
AA	B-19092	LMU	14.10.16	
AB	B-20349	BVE	15.03.02	
sheet index	revision	AB	T	
sheet	1	2		

tolerance	tolerance	tolerance	tolerance	tolerance	
tolerances unless otherwise specified	tolerances unless otherwise specified	tolerances unless otherwise specified	tolerances unless otherwise specified	tolerances unless otherwise specified	
XX	±0.3	XX	±0.13	XX	±0.05
linear		linear		linear	
angles		angles		angles	
mm		mm		mm	
scale 2:1		scale 2:1		scale 2:1	
dwg no	71922	sheet 1 of 2	size	A3	
type	CUSTOMER Drawing				

PRODUCT NUMBER	SIZE	LATCHING AVAILABILITY	MISSING PIN POSITIONS
71922-X06(B)LF	2x3	0/1/2	
71922-X08(B)LF	2x4	0/1/2	
71922-X10(B)LF	2x5	0/1/2	
71922-X14(B)LF	2x7	0/1/2	
71922-X16(B)LF	2x8	0/1/2	
71922-X18(B)LF	2x9	0/1/2	
71922-X20(B)LF	2x10	0/1/2	
71922-X26(B)LF	2x13	0/1/2	
71922-X28(B)LF	2x13	0/1/2	PIN 5 TO 12
71922-X30(B)LF	2x15	0/1/2	
71922-X34(B)LF	2x17	0/1/2	
71922-X35(B)LF	2x17	0/1/2	PIN 2 & 3
71922-X39(B)LF	2x20	0/1/2	PIN 20
71922-X40(B)LF	2x20	0/1/2	
71922-X44(B)LF	2x22	0/1/2	
71922-X50(B)LF	2x25	0/1/2	
71922-X60(B)LF	2x30	0/1/2	
71922-X64(B)LF	2x32	0/1/2	

PLATING :

- 0.76µm GOLD/GXT (PdNi WITH GOLD FLASH) ON CONTACT AREA
- 2µm MIN MATTE TIN ON TAIL
- UNDERPLATE : 1.27µm Ni MIN



mat'l. code	surface ISO 1302	tolerance ISO 406 ISO 1101	projection	product family QUICKIE
Ltr ecn no dr date	tolerances unless otherwise specified		mm	title SHR.EL.HEADER RA DR TMT
M F06-0223 LMU 06.07.17	angles	linear	scale 2:1	dwg no 71922
N F07-0195 LMU 07.05.25				sheet 2 of - size A3
P F08-0146 YOV 08.04.11				type CUSTOMER Drawing
R B-16776 LMU 14.01.23 dr D.LE 01.01.24				
S B-19092 LMU 14.10.16 engt J.M.C 01.01.24				
T B-20349 BVE 15.03.02 chr J.F.N 01.01.24				
	app J.M.C 01.01.24			
sheet index	revision sheet			