

Excellent Integrated System Limited

Stocking Distributor

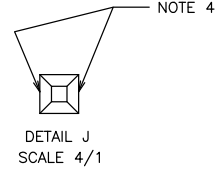
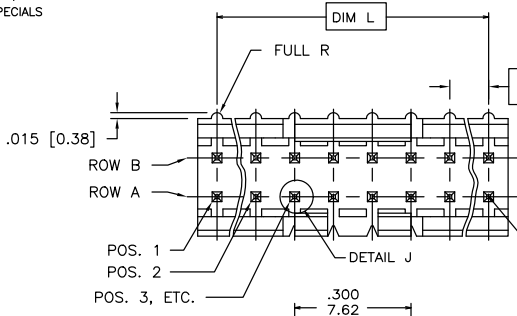
Click to view price, real time Inventory, Delivery & Lifecycle Information:

[FCI](#)
[69168-106HLF](#)

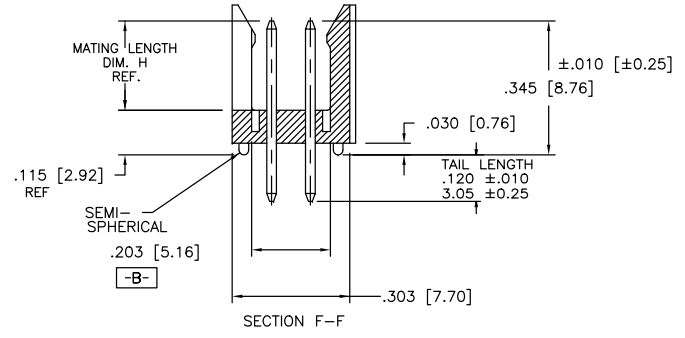
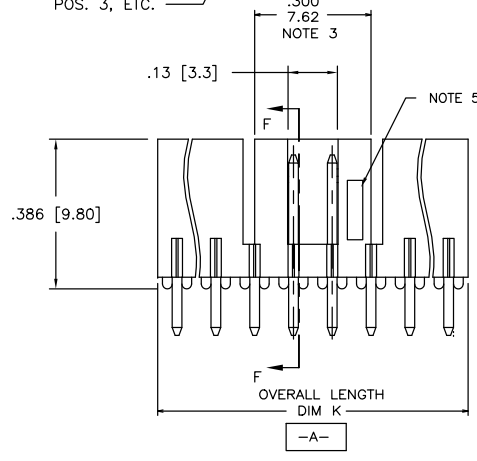
For any questions, you can email us directly:
sales@integrated-circuit.com

PRODUCT NUMBER
69168-XYZHLF

- LEAD FREE OPTION
SEE NOTE 7, 8, 9
- CUSTOMER SPECIALS
SEE NOTE 6
- NO. OF POS.
SEE TABLE
- PIN PLATING
BASE P/N



□ .025/.64 PIN
TYPE
④ .020/0.51 ④ A ④ B ④
AT TIPS
BOTH ENDS



mat'l. code	surface / tolerance ISO 1302 / ISO 406 ISO 1107	projection	product family HEADER
tr/ecn ngor date	tolerances unless otherwise specified	INCH/MM	title FRICTION LATCH HEADER DOUBLE ROW VERTICAL
M 01-01188 JZ 2012-05-31	angles linea	scale 3:1	dwg no 69168 sheet of 2 size A3
G V03-0352 GJP 03/25/03	0°±2'		type Product Customer Drawing
H M05-0134 ERE 06/15/06	dr LSADERS	5/3/95	
J M08-0258 MHT 9/07/06	enrg LFYE	5/3/95	
K M08-0023 MHT 1/28/08	chr T.BREWBAKER	5/3/95	
L M08-0291 MHT 10/06/08	app LFYE	5/3/95	
sheet revisidn M			
index sheet 1 2			

Copyright FCI
 FCIconnect.com

PRODUCT NUMBER	NO.OF POS.	MATING LENGTH DIM H	OVERALL LENGTH DIM K	DIM L	NOTES
69168-X06	2 X 3	0.230/5.84	0.300/7.62	0.200/5.08	
-X08	2 X 4	0.230/5.84	0.400/10.16	0.300/7.62	
-X08A	2 X 4	0.210/5.33	0.400/10.16	0.300/7.62	NOTE 6
-X10	2 X 5	0.230/5.84	0.500/12.70	0.400/10.16	
-X10A	2 X 5	0.210/5.33	0.500/12.70	0.400/10.16	NOTE 6
-X12	2 X 6	0.230/5.84	0.600/15.24	0.500/12.70	
-X14	2 X 7	0.230/5.84	0.700/17.78	0.600/15.24	
-X16	2 X 8	0.230/5.84	0.800/20.32	0.700/17.78	
-X16A	2 X 8	0.210/5.33	0.800/20.32	0.700/17.78	NOTE 6
-X18	2 X 9	0.230/5.84	0.900/22.86	0.800/20.32	
-X18A	2 X 9	0.210/5.33	0.900/22.86	0.800/20.32	NOTE 6
-X20	2 X 10	0.230/5.84	1.000/25.40	0.900/22.86	
-X22	2 X 11	0.230/5.84	1.100/27.94	1.000/25.40	
-X24	2 X 12	0.230/5.84	1.200/30.48	1.100/27.94	
-X26	2 X 13	0.230/5.84	1.300/33.02	1.200/30.48	
-X28	2 X 14	0.230/5.84	1.400/35.56	1.300/33.02	
69168-X30	2 X 15	0.230/5.84	1.500/38.10	1.400/35.56	

NOTES:

1. MOLDING MAT'L: GLASS REINFORCED PCT, COLOR: BLACK
FLAME RETARDANT PER UL 94 V-0
MAXIMUM OPERATING TEMPERATURE: 130° C
OR
MINERAL FILLED LCP, COLOR BLACK
FLAME RETARDANT PER UL 94 V-0
2. PIN MATERIAL: 3/4 HD PHOS. BRZ.
3. NO SLOTS ON 2 X 5 POSITION OR SMALLER PRODUCT. THE CENTER KEY SLOT WILL BE ON ALL HEADERS REGARDLESS OF SIZE.
4. TWO NON-CRITICAL SIDES OF PIN TIP NOT PLATED, BOTH ENDS.
5. COMPANY LOGO MAY APPEAR IN THIS AREA.
6. CUSTOMER SPECIAL -- "A" SUFFIX INDICATES 0.210/5.33 MATING LENGTH.
7. ADD "HLF" SUFFIX AT THE END OF PART NUMBER FOR LEAD FREE OPTION, NOT AVAILABLE FOR -5YY, -5YYH, -6YY & -6YYH.
8. PART NUMBERS WITH "H" SUFFIX WILL WITHSTAND EXPOSURE TO 260°C PEAK TEMPERATURE FOR 20 SECONDS IN WAVE SOLDER, INFRA-RED OR VAPOR PHASE SOLDER PROCESS.

PART NUMBERS WITHOUT "H" SUFFIX WILL WITHSTAND EXPOSURE TO 260°C PEAK TEMPERATURE FOR WAVE SOLDER PROCESS.
9. THIS PRODUCT MEETS EUROPEAN UNION DIRECTIVES AND OTHER COUNTRY REGULATION AS DESCRIBED IN GS-22-008.
10. PLATING OPTIONS:
PERFORMANCE PLATING WILL BE EITHER GOLD OR GXT ON CONTACT OR TAIL, OPTIONALLY (78~295u"/2~7.5u) TIN ON TAIL.
11. THIS PRODUCT HAS 100% TIN PLATING IN THE INTERFACE AND HAS NOT BEEN TESTED FOR WHISKER GROWTH IN ALL INTERCONNECT ENVIRONMENTS.

PIN PLATING CODES

-1YY	30u"/.76u (SEE NOTE 10) 50u"/1.27u Ni
-2YY	15u"/.38u (SEE NOTE 10) 50u"/1.27u Ni
-3YY	50u"/1.27u (SEE NOTE 10) 50u"/1.27u Ni
-4YY	100u"/2.54u MIN Sn 50u"/1.27u Ni (SEE NOTE 11)
-4YYHLF	
-5YY	15u"/.38u (SEE NOTE 10) 50u"/1.27u Ni
-6YY	30u"/.76u (SEE NOTE 10) 50u"/1.27u Ni
-7YY	30u"/.76u (SEE NOTE 10) OVER 50u"/1.27u Ni
-8YY	15u"/.38u (SEE NOTE 10) OVER 50u"/1.27u Ni

mat'l. code	surface / tolerance ISO 1302 / ISO 406 ISO 1101	projection	product family HEADER
tr/tech no/dt	tolerances unless otherwise specified	INCH/MM	title FRICION LATCH HEADER DOUBLE ROW VERTICAL
M	angles 0±2'	scale 3:1	dwg no 69168
	dr. LSADERS 5/3/95		sheet 2 of 2 size A3
	engr. LFYE 5/3/95		type Product Customer Drawing
	chr. T.BREWBAKER 5/3/95		
	app. LFYE 5/3/95		
sheet index	revision sheet		