

## Excellent Integrated System Limited

Stocking Distributor

Click to view price, real time Inventory, Delivery & Lifecycle Information:

[CUI Inc.](#)  
[CX-1612C](#)

For any questions, you can email us directly:  
[sales@integrated-circuit.com](mailto:sales@integrated-circuit.com)



Part No: CX-1612C  
 Description: magnetic buzzer

Date: 1/30/2006  
 Unit: mm  
 Page No: 1 of 4

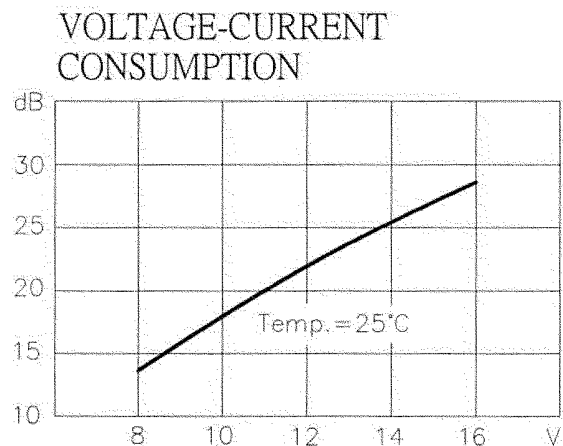
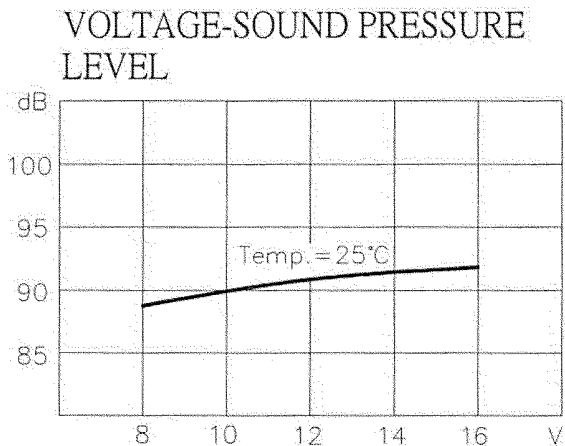
### SCOPE

This specification applies to magnetic buzzer, CX-1612C

### SPECIFICATION

No.	Item	Unit	Specification	Condition
1	Rated Voltage	V <sub>DC</sub>	12.0	
2	Operating Volt.	V <sub>DC</sub>	8.0~16.0	
3	Mean Current	mA	Max. 35	
4	Sound Output	dBA	Min.85 (Typical 92)	Distance at 10cm(A-weight free air). Applying rated voltage .
5	Rated Frequency	Hz	2200 ± 300	
6	Operating Temp.	°C	-20 ~ +60	
7	Storage Temp.	°C	-30 ~+70	
8	Dimension	mm	φ 16.0 × H14.0	See attached drawing.
9	Weight	gram	4.6	
10	Material		PPO(Black)	
11	Terminal		Pin type (Plating Au)	See attached drawing.
12	Environmental Protection Regulation		RoHS	

### TYPICAL FREQUENCY RESPONSE CURVE



All information contained herein applies only to the above listed part number. Other versions of this part number with electrical or mechanical variations are available. Contact CUI Inc. for further assistance.

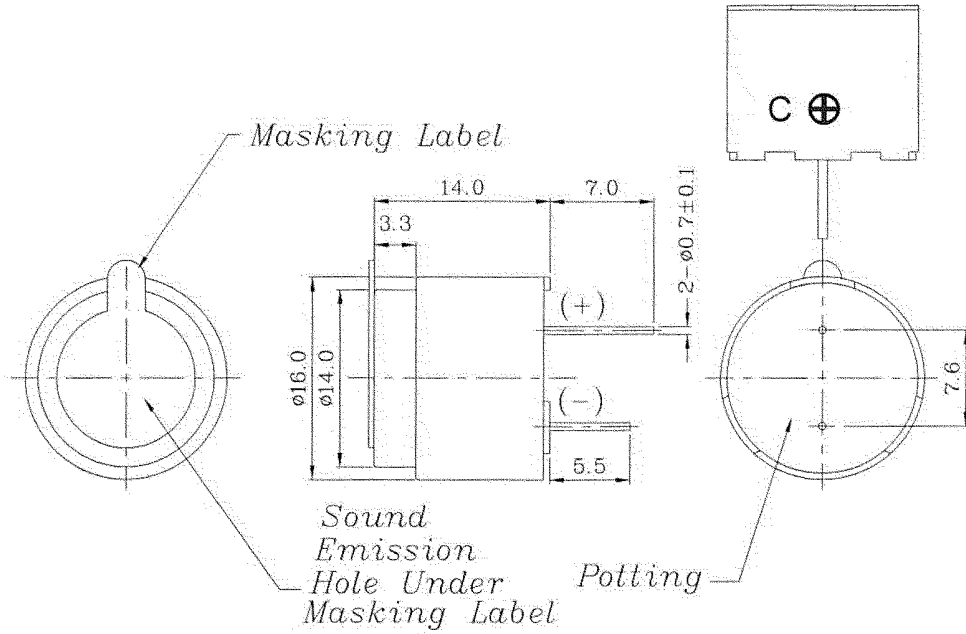
For more information, please visit the [product page](#).



Part No: CX-1612C  
 Description: magnetic buzzer

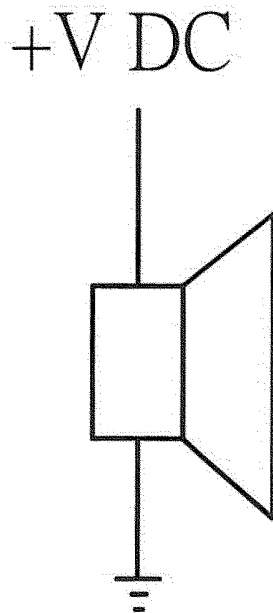
Date: 1/30/2006  
 Unit: mm  
 Page No: 2 of 4

**APPEARANCE DRAWING**



Tol:  $\pm 0.5$   
 Unit: mm

**MEASUREMENT METHOD**



For more information, please visit the [product page](#).



Part No: CX-1612C  
 Description: magnetic buzzer

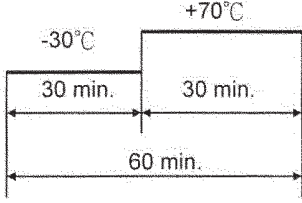
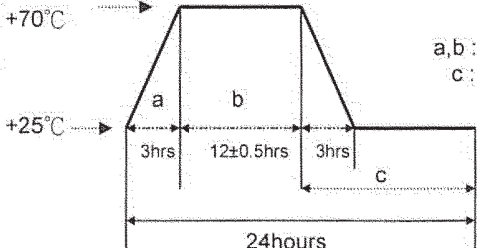
Date: 1/30/2006  
 Unit: mm  
 Page No: 3 of 4

### MECHANICAL CHARACTERISTICS

No.	Item	Test condition	Evaluation standard
1	Solderability <sup>1</sup>	Lead terminals are immersed in rosin for 5 seconds and then immersed in solder bath of +270±5°C for 3±1 seconds.	90% min. lead terminals shall be wet with solder. (Except the edge of terminal)
2	Soldering Heat Resistance	Lead terminal are immersed up to 1.5mm from sounder's body in solder bath of +260±5°C for 3±1 seconds.	No interference in operation
3	Terminal Mechanical Strength	The force 10 seconds of 9.8N (1.0kg) is applied to each terminal in axial direction.	No damage and cutting off
4	Vibration	Buzzer shall be measured after being applied vibration of amplitude of 1.5mm with 10 to 55hz band of vibration frequency to each of 3 per-pendicular directions for 2 hours.	After the test the part shall meet specifications with-out any damage in appearance and the SPL should be in ±10dBA compared with initial one.
5	Drop test	The part only shall be dropped from a height of 75cm onto a 40mm thick wooden board 3 times in 3 axes (X.Y.Z). (a total of 9 times).	

Notes: 1. Not recommended for wave soldering

### ENVIRONMENT TEST

No.	Item	Test condition	Evaluation standard
1	High temp. test	After being placed in a chamber at +70°C for 96 hours.	After the test the part shall meet specifications with-out any degradation in appearance and performance except SPL. after 4 hours at +25°C. the SPL should be in ±10dBA compared with initial one.
2	Low temp. test	After being placed in a chamber at -30°C for 96 hours.	
3	Thermal Shock	The part shall be subjected to 10 cycles. One cycle shall consist of; 	
4	Temp./ Humidity Cycle	The part shall be subjected to 10 cycles. One cycle shall be 24 hours and consist of; 	

All information contained herein applies only to the above listed part number. Other versions of this part number with electrical or mechanical variations are available. Contact CUI Inc. for further assistance.

For more information, please visit the [product page](#).



Part No: CX-1612C  
 Description: magnetic buzzer

Date: 1/30/2006  
 Unit: mm  
 Page No: 4 of 4

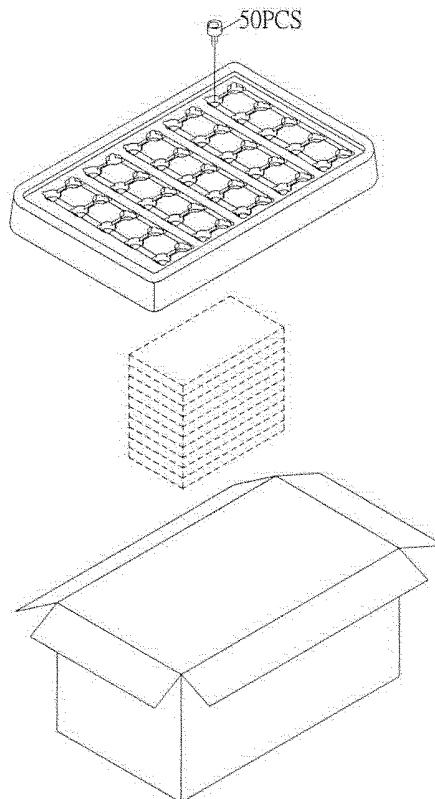
### RELIABILITY TEST

No.	Item	Test condition	Evaluation standard
1	Operating life test	1. Continuous life test The part shall be subjected to 72 hours at +45°C with 12VDC applied.  2. Intermittent life test A duty cycle of 1 minute on, 1 minutes off, a minimum of 10000 times at room temp. (+25±10°C) with 12VDC applied.	After the test the part shall meet specifications with-out any degradation in appearance and performance except SPL. after 4 hours at +25°C, the SPL should be in ±10dBA compared with initial one.

#### TEST CONDITION.

- Standard Test Condition : a) Temperature : +5 ~ +35°C b) Humidity : 45-85% c) Pressure : 860-1060mbar  
 Judgement Test Condition : a) Temperature : +25 ± 2°C b) Humidity : 60-70% c) Pressure : 860-1060mbar

### PACKING STANDARD



320mmx170mmx28mm	1x50PCS=50PCS
340mmx190mmx310mm	10x50PCS=500PCS
690mmx390mmx350mm	4x500PCS=2000PCS

All information contained herein applies only to the above listed part number. Other versions of this part number with electrical or mechanical variations are available. Contact CUI Inc. for further assistance.