

## Excellent Integrated System Limited

Stocking Distributor

Click to view price, real time Inventory, Delivery & Lifecycle Information:

[Amphenol RF](#)  
[31-10-RFX](#)

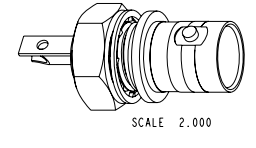
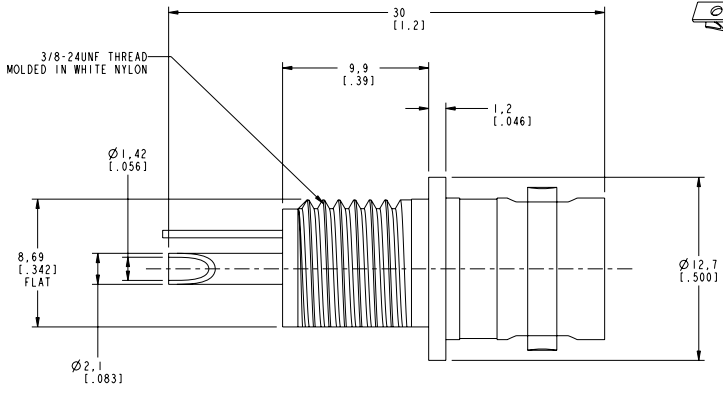
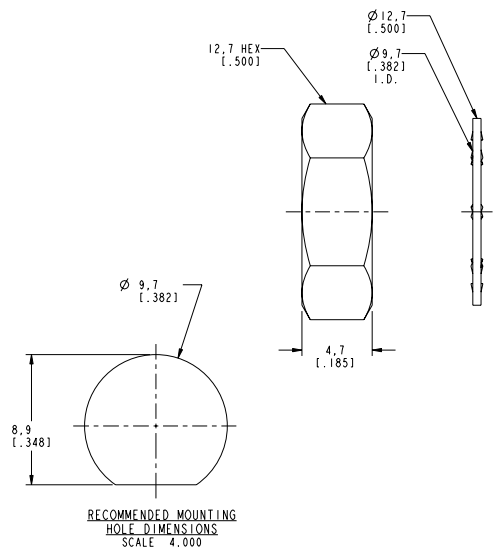
For any questions, you can email us directly:

[sales@integrated-circuit.com](mailto:sales@integrated-circuit.com)

NOTES:

- MATERIALS OF CONSTRUCTION:  
 BODY & HEX NUT = BRASS (00-B-626), NICKEL PLATED  
 LOCKWASHER & LOCK RING = BRASS (00-B-613), NICKEL PLATED  
 BRAID GROUNDING = BRASS (00-B-613), BRIGHT TIN PLATED  
 CONTACT PIN = PHOSPHOR BRONZE, SILVER PLATED  
 INSULATOR = NYLON, COLOR WHITE
- RECOMMENDED TORQUE: A MAXIMUM TORQUE OF 12 INCH-LBS MAY BE APPLIED ON HEX NUT WHEN MOUNTING CONNECTOR IN PANEL.

31-10-RFX		REVISIONS			
DRAWING NO.	REV	DESCRIPTION	DATE	ECO	APPR
THIRD ANGLE PROJ.	--	RELEASE TO MFG.			
	F	SEE SHEET 1	10/27/00	43458	CPM
	G	SEE SHEET 1	2/12/07	46440	CPM



RECOMMENDED MOUNTING HOLE DIMENSIONS  
SCALE 4.000

THIS CONNECTOR IS COVERED BY U.S. PATENT 3,396,132

**CUSTOMER OUTLINE DRAWING**  
ALL OTHER SHEETS ARE FOR INTERNAL USE ONLY

UNLESS OTHERWISE SPECIFIED, DIMENSIONS ARE IN MM (INCHES) AND TOLERANCES ARE: 0.5 - 6mm ±0.2mm    6 - 30mm ±0.4mm    30 - 120mm ±0.6mm	MATERIAL	DRAWN C. McGRATH	DATE 7/24/00	TITLE BNC BULKHEAD RECEPTACLE ISOLATED JACK	<b>Amphenol</b> Amphenol Corporation Communication and Network Products Division Danbury, CT U.S.A. 06810 SCALE: 4.0:1 SHEET 2 OF 2	
	NOTICE - These drawings, specifications, or other data (1) are, and remain the property of Amphenol Corp. (2) must be returned upon request; and (3) are confidential and not to be disclosed to any person other than those to whom they are given by Amphenol Corp. The furnishing of these drawings, specifications, or other data by Amphenol Corp., or to any other person to anyone for any purpose is not to be regarded by implication or otherwise in any manner licensing, granting rights or permitting such holder or any other person to manufacture, use or sell any product, process or design, patented or otherwise, that may in any way be related to or disclosed by said drawings, specifications, or other data.	REFERENCE EAR 962370-0 & 967598-0 GEN# ASSY14.BNC	ENGINEER T. AUBIN	DATE 7/24/00		APPROVED T. AUBIN
		CAD FILE 1:\BNC\31-10-RFX	CODE ID 74868	DWG SIZE B	DRAWING NO. 31-10-RFX	REV G