

Excellent Integrated System Limited

Stocking Distributor

Click to view price, real time Inventory, Delivery & Lifecycle Information:

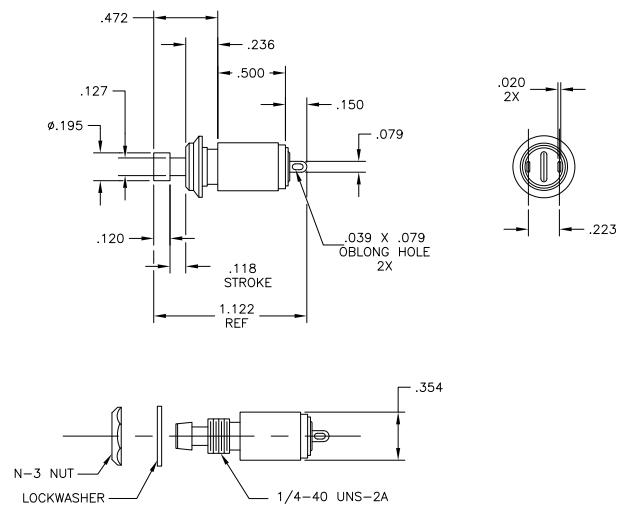
[TE Connectivity Alcoswitch Switches](#)
[MPA103B04](#)

For any questions, you can email us directly:

sales@integrated-circuit.com

THIS DRAWING IS UNPUBLISHED. RELEASED FOR PUBLICATION
 BY TYCO ELECTRONICS CORPORATION. ALL RIGHTS RESERVED.

LOC	DIST	REVISIONS			
#	LTR	DESCRIPTION	DATE	OWN	APPD
A1		ECO-07-026552	07NOV07	MB	MW



SPECIFICATIONS	
RATING	3A@125 VAC.
INITIAL CONTACT RESISTANCE	20 MILLIOHMS MAX.
INSULATION RESISTANCE	1,000 MEGOHMS MIN.
DIELECTRIC WITHSTANDING VOLTAGE	1,000 VRMS @ SEE LEVEL
DURABILITY	10,000 CYCLES
OPERATING FORCE	10 oz.
TRAVEL	.118
OPERATING TEMPERATURE	-20°C TO +70°C
STORAGE TEMPERATURE	-40°C TO +80°C

- NOTES:
- ALL MATERIALS AND FINISHES SHALL COMPLY WITH EU DIRECTIVE 2002/95/EC OF 27JAN2003 (RoHS).
 - N-3 DECORATIVE MOUNTING NUT AND INTERNAL TOOTH LOCKWASHER SUPPLIED.
 - SWITCH SUPPLIED WITH .195 DIA X .120 HIGH BACK CAP. ADDITIONAL COLOR AND LARGER SIZE CAPS ARE AVAILABLE AND MUST BE ORDERED SEPERATELY. SEE DRAWING 6-1437627-2.

MATERIALS		
COMPONENT NAME	BASE MATERIAL	FINISH
CASE	PHENOL RESIN, BLUE	
FIXED CONTACT	COPPER	GOLD FLASH
MOVING CONTACT	COPPER	GOLD FLASH OVER SILVER
SPRING	PHOSPHOR BRONZE	
SHAFT	BRASS	
PRESSURE FINGER	PBT, 20% GF	
PRESSURE PIN	BRASS	
INSULATION PLATE	ACETAL RESIN	
FRAME	BRASS	NICKEL
LOCKWASHER	STEEL	ZINC, CR3 COATED
HEX NUT	BRASS	NICKEL
PLUNGER	ACETAL RESIN	
CAP	PVC, BLACK. SEE NOTE 3.	

SPNO MOMENTARY	MPA103C04	1825403-2
SPNC MOMENTARY	MPA103B04	1825403-1
ACTION	ALCO P/N	TE P/N

THIS DRAWING IS A CONTROLLED DOCUMENT. DWG: 144P838 / OPS: 144P838 / C. SELLE: 144P838

TE Connectivity Tyco Electronics Corporation
 Harrisburg, Pa 17105-3608

MPA103C04 PUSHBUTTON SWITCH MOMENTARY MPA103C

DATE CODE: A2 00779 C=1825403

RESTRICTED TO: A1

SCALE: 2:1 SHEET: 1 OF 1 REV: A1

1825403

A