

Excellent Integrated System Limited

Stocking Distributor

Click to view price, real time Inventory, Delivery & Lifecycle Information:

[Energizer Battery Company](#)
[CLED2D-E](#)

For any questions, you can email us directly:

sales@integrated-circuit.com

CLED2D
 (4) LED Flashlight



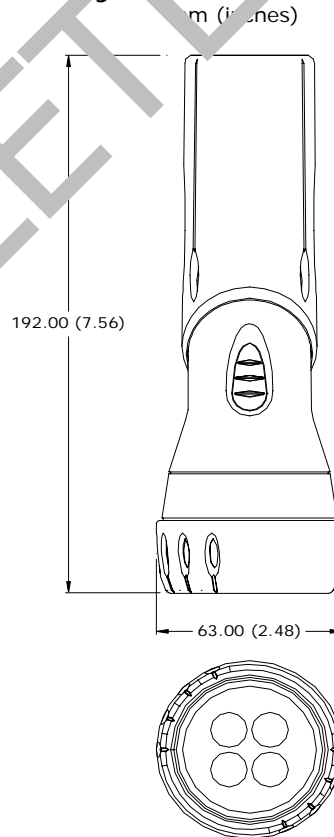
Specifications

- Designation:** Energizer Flashlight
Power Source: Two D Size Batteries (ANSI/NEDA 13 Series)
Lamp: LED (4) (Rated at 3.6V, 0.02A)
Lamp Life: Rated at Lifetime
Lamp Output: Rated at 5.6 Candela
Typical Weight: 150 grams (5.3 oz.) (without batteries)

Features

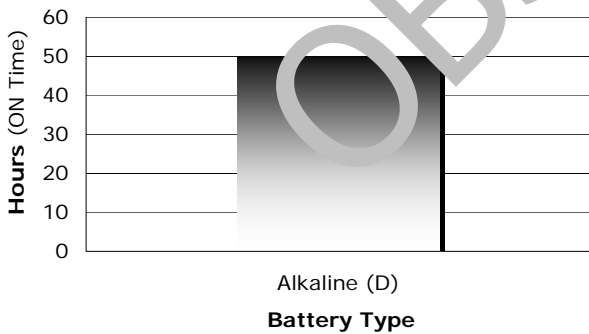
- (4) Superbright White LED's
- Soft Touch Rubber Jacket for Body and Lens Hood
- 2D Cells (extra long run time)
- New Reflector and Lens
- Modern Styling and Colors

Physical Dimensions



Typical Battery Service

Continuous
 at 21°C (70°F)



Typical Battery Service to end of useable light at 21°C (70°F)

Schedule	Battery Type	Hours (ON Time)
Continuous	E95	50

Important Notice

This datasheet contains information specific to flashlights manufactured at the time of its publication.
Contents herein do not constitute a warranty.
 Copyright Eveready Battery Co. Inc. - All Rights Reserved