

Excellent Integrated System Limited

Stocking Distributor

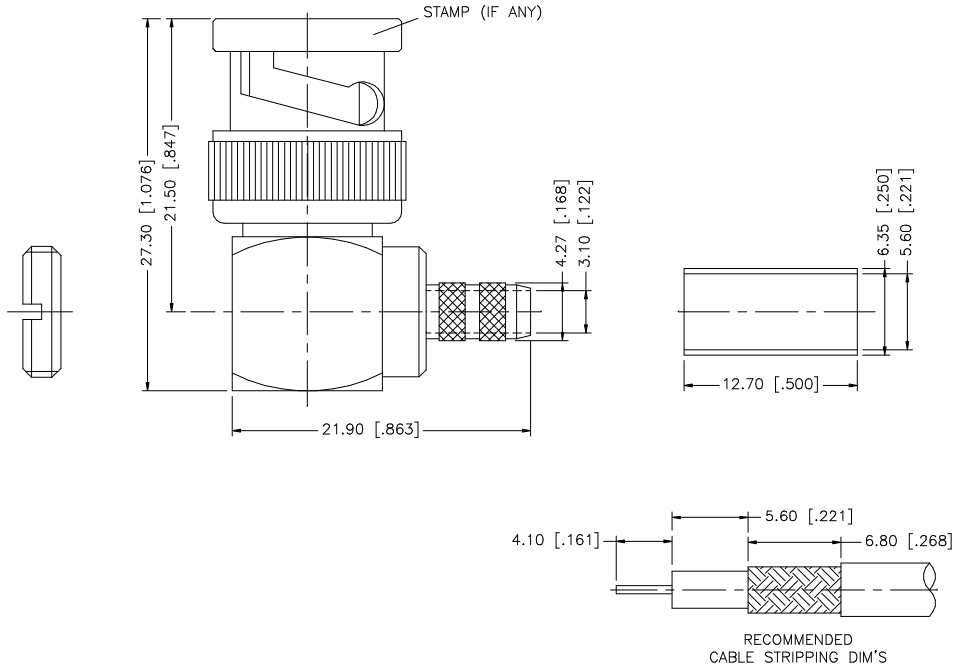
Click to view price, real time Inventory, Delivery & Lifecycle Information:

[Amphenol RF](#)
[112526](#)

For any questions, you can email us directly:

sales@integrated-circuit.com

REV.	DATE	DESCRIPTION
A	06/05/03	UPDATE DRAWING FORMAT



DESCRIPTION	MATERIAL	FINISH	QTY	DO NOT SCALE DRAWING	APPROVALS	DATE	Amphenol Connex				
8							BNC R/A CRIMP PLUG (FOR RG-223/U, 55/U, 142A/U, 400/U) 112526				
7					DRAWN	G.R.S.				06/05/03	
6					CHECKED						
5	NUT	BRASS	NICKEL	1	ISSUED						
4	FERRULE	COPPER	NICKEL	1	SHEET	1 OF 1					
3	CONTACT PIN	BRASS	GOLD	1	CAD FILE	C:/112/112526.DWG				DWG. NO.	112526.DWG
2	INSULATOR	DELTRIN	NATURAL	1						REV.	A
1	SHELL/BODY	BRASS	NICKEL	1						SIZE	A
							SCALE	NA			

UNLESS OTHERWISE SPECIFIED DIMENSIONS ARE IN MILLIMETERS. DIMENSIONS IN [] ARE IN INCHES AND FOR CUSTOMER REFERENCE ONLY.

UNLESS OTHERWISE SPECIFIED TOLERANCES FOR MILLIMETERS ARE:
 0.5 - 8mm ± 0.20mm
 8 - 30mm ± 0.40mm
 30 - 120mm ± 0.50mm

UNLESS OTHERWISE SPECIFIED TOLERANCES FOR INCHES ARE:
 .020 - .315 = ± 0.007"
 .315 - 1.180 = ± 0.015"
 1.180 - 4.724 = ± 0.020"