

## **Excellent Integrated System Limited**

Stocking Distributor

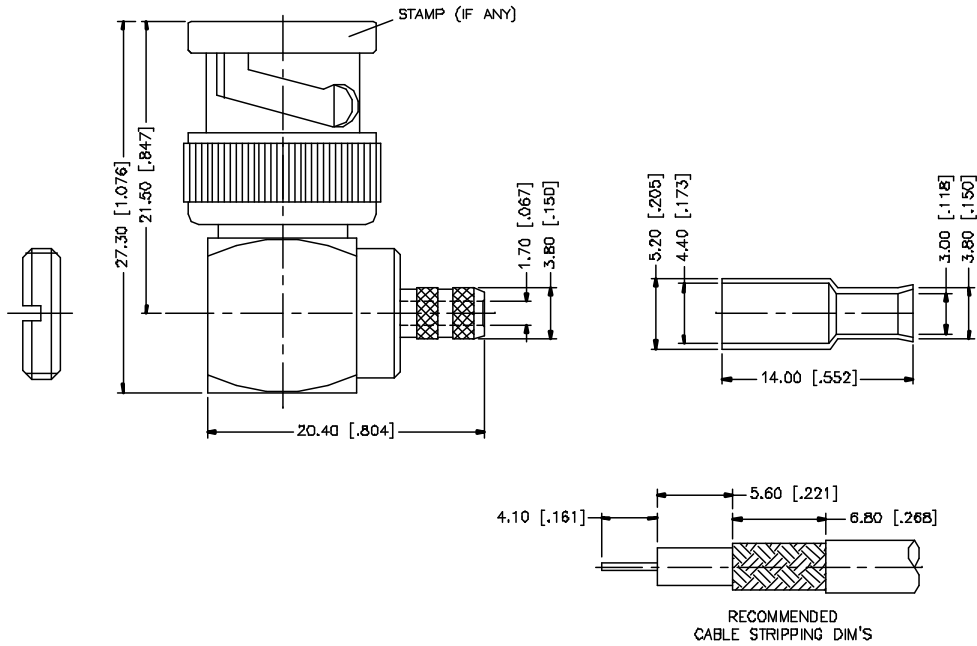
Click to view price, real time Inventory, Delivery & Lifecycle Information:

[Amphenol RF](#)  
[112179](#)

For any questions, you can email us directly:

[sales@integrated-circuit.com](mailto:sales@integrated-circuit.com)

REV.	DATE	DESCRIPTION
A	01/28/03	REVISE BODY DIMENSIONS
B	04/29/04	REMOVE CENTER CONTACT PIN
C	12/30/04	MODIFY BARREL I.D. TO 1.7mm



DESCRIPTION	MATERIAL	FINISH	QTY	DO NOT SCALE DRAWING	APPROVALS	DATE	Amphenol Connex				
8					DRAWN	G.R.S.	12/30/04	PART DESCRIPTION BNC R/A CRIMP PLUG - 75ohm (FOR RG-179 /U, 187A/U CABLE)			
7					CHECKED						
6					ISSUED			PART NO. 112179			
5	NUT	BRASS	NICKEL	1	SHEET	1 OF 1					
4	FERRULE	COPPER	NICKEL	1	CAD FILE	C:/112/112179.DWG	DWG. NO.	112179.DWG	REV. C	SIZE A	SCALE NA
3	CONTACT PIN	BRASS	GOLD	1	UNLESS OTHERWISE SPECIFIED DIMENSIONS ARE IN MILLIMETERS. DIMENSIONS IN [ ] ARE IN INCHES AND FOR REFERENCE ONLY.						
2	INSULATOR	DELRI	NATURAL	1	UNLESS OTHERWISE SPECIFIED TOLERANCES FOR MILLIMETERS ARE: 0.5 - 8mm ± 0.20mm 8 - 30mm ± 0.40mm 30 - 120mm ± 0.50mm						
1	SHELL/BODY	BRASS	NICKEL	1	UNLESS OTHERWISE SPECIFIED TOLERANCES FOR INCHES ARE: .020 - .315 = ± 0.007" .315 - 1.180 = ± 0.015" 1.180 - 4.724 = ± 0.020"						