

Excellent Integrated System Limited

Stocking Distributor

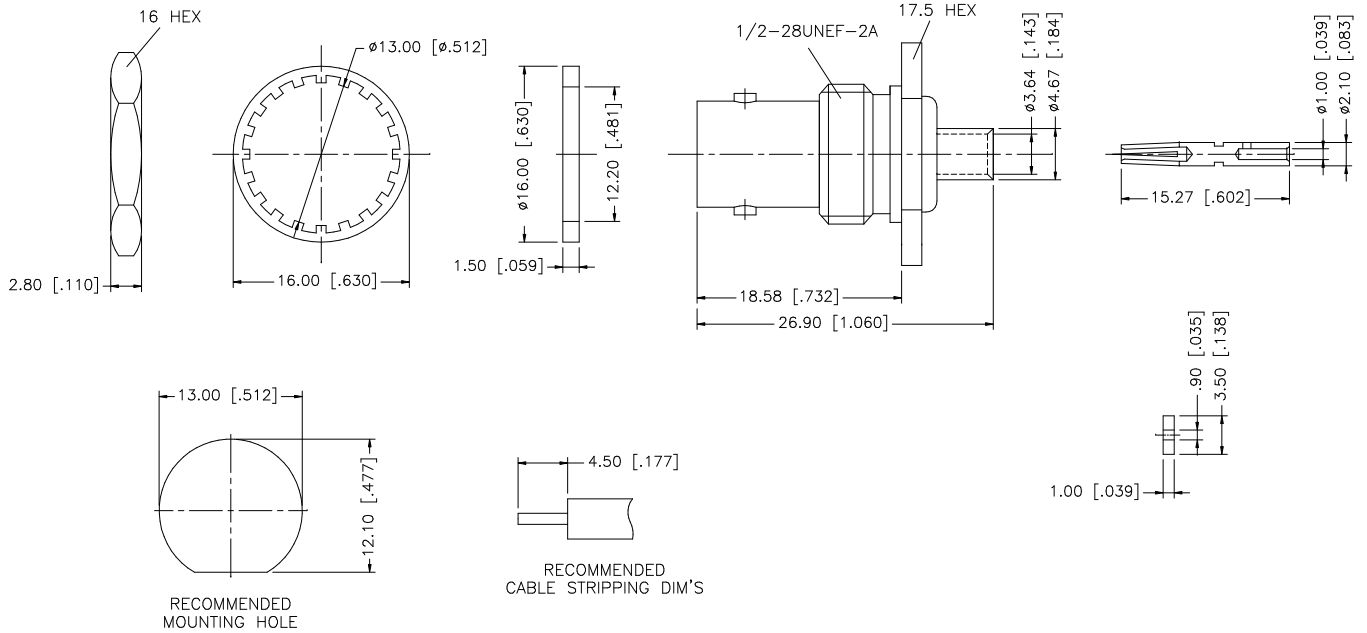
Click to view price, real time Inventory, Delivery & Lifecycle Information:

[Amphenol RF](#)
[112581](#)

For any questions, you can email us directly:

sales@integrated-circuit.com

REV.	DATE	DESCRIPTION
NC	07/31/05	INITIAL RELEASE



QTY	DESCRIPTION	MATERIAL	FINISH	QTY	UNLESS OTHERWISE SPECIFIED DIMENSIONS ARE IN MILLIMETERS. DIMENSIONS IN [] ARE IN INCHES AND FOR CUSTOMER REFERENCE ONLY.	APPROVALS	DATE	Amphenol Connex
8	INSULATOR	TEFLON	NATURAL	1	UNLESS OTHERWISE SPECIFIED TOLERANCES FOR MILLIMETERS ARE: 0.5 - 8mm ± 0.20mm 8 - 30mm ± 0.40mm 30 - 120mm ± 0.50mm UNLESS OTHERWISE SPECIFIED TOLERANCES FOR INCHES ARE: .020 - .315 = ± 0.007" .315 - 1.180 = ± 0.015" 1.180 - 4.724 = ± 0.020"	DRAWN	G.R.S.	
7	HEX NUT	BRASS	NICKEL	1		CHECKED		
5	LOCK WASHER	BRASS	NICKEL	1		ISSUED		
4	GASKET	RUBBER	RED	1		SHEET	1 OF 1	
3	CONTACT PIN	PHOS. BRONZE	GOLD	1				
2	INSULATOR	TEFLON	NATURAL	1				
1	BODY/HOUSING	BRASS	NICKEL	1				
	DESCRIPTION	MATERIAL	FINISH	QTY		DO NOT SCALE DRAWING	CAD FILE	C:/112/112581.DWG