

Excellent Integrated System Limited

Stocking Distributor

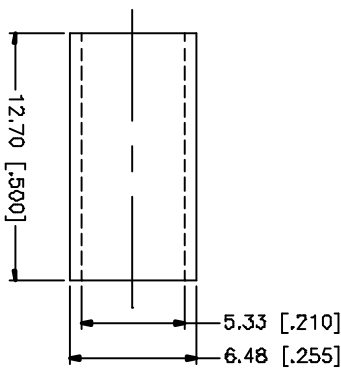
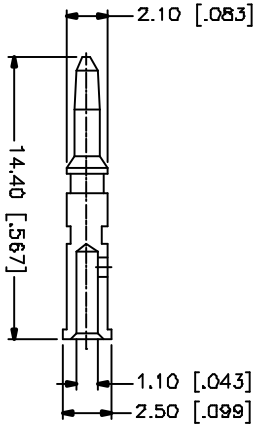
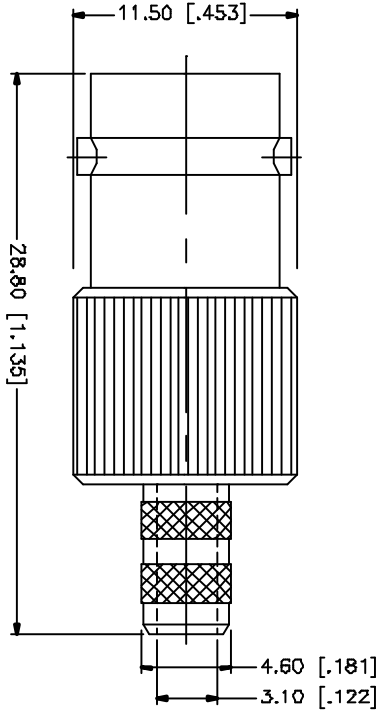
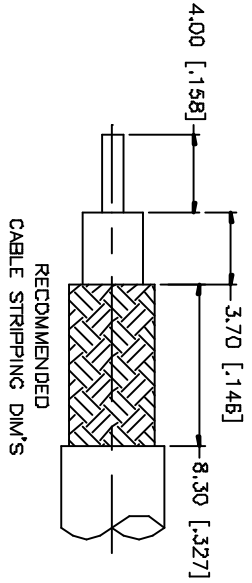
Click to view price, real time Inventory, Delivery & Lifecycle Information:

[Amphenol RF](#)
[112144RP](#)

For any questions, you can email us directly:

sales@integrated-circuit.com

REV.	DATE	DESCRIPTION
NC	05/01/04	INITIAL RELEASE



NOTE:

1. CRIMPED FERRULE
HEX CRIMP SIZE .213"
2. CRIMPED CONTACT PIN
HEX CRIMP SIZE .088"

QTY	DESCRIPTION	MATERIAL	FINISH	QTY	DO NOT SCALE DRAWING	APPROVALS	DATE	PART DESCRIPTION	DWG NO.	REV.	SIZE	SCALE
1	BODY	BRASS	NICKEL	1				Amphenol Connex BNC REVERSE POLARITY CRIMP JACK 112144RP	112144RP.DWG	NC	A	NA
1	INSULATOR	TEFLON	NATURAL	1								
1	CONTACT PIN	BRASS	GOLD	1								
1	FERRULE	COPPER	NICKEL	1								
1	INSULATOR	TEFLON	NATURAL	1								
UNLESS OTHERWISE SPECIFIED DIMENSIONS ARE IN MILLIMETERS (DIMENSIONS IN [] ARE IN INCHES AND FOR CONDUCTOR RECOMMENDED DATA). TOLERANCES FOR MILLIMETERS ARE: 0.15 - 30mm ± 0.20mm 30 - 120mm ± 0.30mm UNLESS OTHERWISE SPECIFIED DIMENSIONS FOR INCHES ARE: .020 - .315 = ± 0.007" .315 - 1.180 = ± 0.015" 1.180 - 4.724 = ± 0.020"						DRAWN: G.R.S. DATE: 05/01/04 CHECKED: DATE: 05/01/04 ISSUED: DATE: 05/01/04 SHEET: 1 OF 1		CAD FILE: C:/112/112144RP.DWG				