

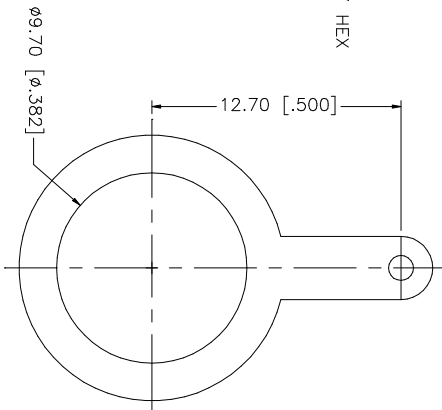
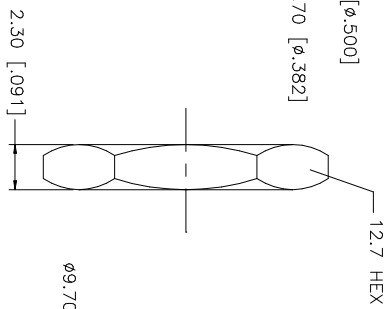
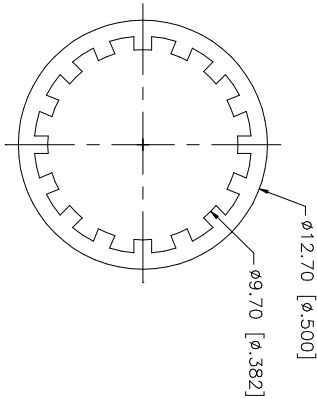
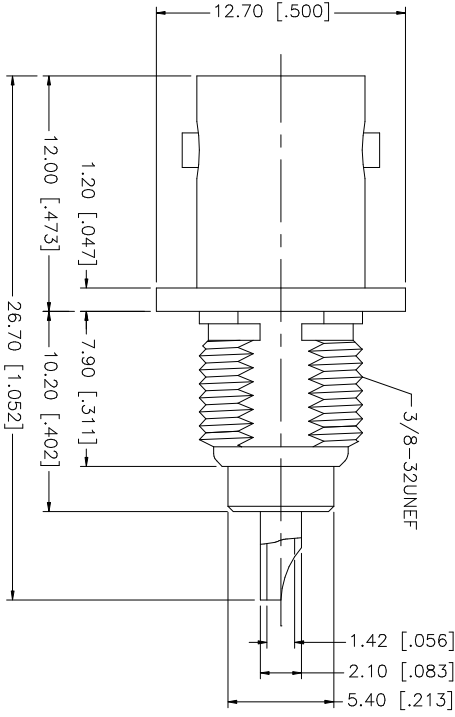
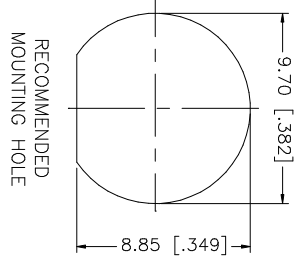
Excellent Integrated System Limited

Stocking Distributor

Click to view price, real time Inventory, Delivery & Lifecycle Information:

[Amphenol RF
112424](#)

For any questions, you can email us directly:
sales@integrated-circuit.com



REV.	DATE	DESCRIPTION
A	01/07/04	UPDATE DRAWING FORMAT

QTY	FINISH	MATERIAL	DESCRIPTION
1	NICKEL	BRASS	BODY
1	GOLD	PHOS. BRONZE	CONTACT PIN
1	NATURAL	DELIRIN	INSULATOR
1	NICKEL	BRASS	LOCK WASHER
1	NICKEL	BRASS	HEX NUT
1	NICKEL	BRASS	SOLDER TAB

APPROVALS	DATE
G.R.S.	01/07/04

DO NOT SCALE DRAWING
C:/112/112424.DWG

UNLESS OTHERWISE SPECIFIED DIMENSIONS ARE IN MILLIMETERS DIMENSIONS IN INCHES ARE FOR REFERENCE ONLY.
TOLERANCES FOR MILLIMETERS ARE: 0.5 - 8mm ± 0.20mm 8 - 30mm ± 0.40mm 30 - 120mm ± 0.50mm
TOLERANCES FOR INCHES ARE: .020 - .315 = ± 0.007" .315 - 1.180 = ± 0.015" 1.180 - 4.724 = ± 0.020"

PART DESCRIPTION	PART NO.
Amphenol Connex BNC BULKHEAD RECEPTACLE JACK (50 ohms)	112424

DWG. NO.	REV.	SIZE	SCALE
112424.DWG	A	A	NA