

## Excellent Integrated System Limited

Stocking Distributor

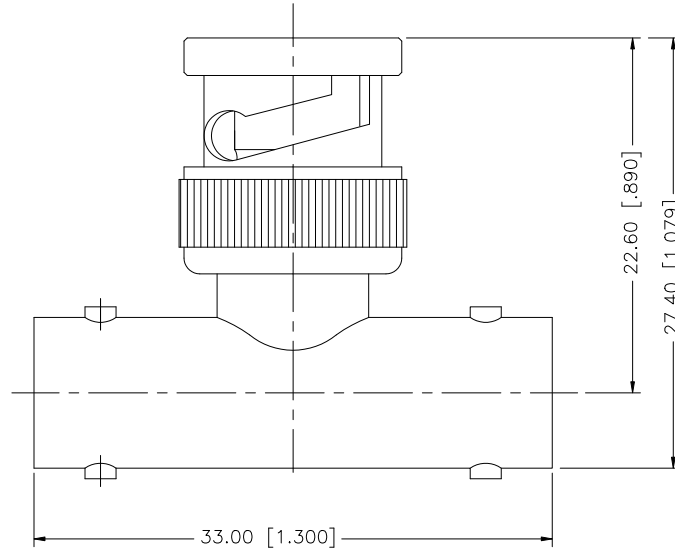
Click to view price, real time Inventory, Delivery & Lifecycle Information:

[Amphenol RF](#)  
[112462](#)

For any questions, you can email us directly:

[sales@integrated-circuit.com](mailto:sales@integrated-circuit.com)

REV.	DATE	DESCRIPTION
NC	10/16/02	INITIAL RELEASE
A	05/01/04	UPDATE DRAWING FORMAT



REV.	DATE	DESCRIPTION
8		
7		
6		
5		
4		
3		
2		
1		

UNLESS OTHERWISE SPECIFIED DIMENSIONS ARE IN MILLIMETERS. DIMENSIONS IN [ ] ARE IN INCHES AND FOR CUSTOMER REFERENCE ONLY.				APPROVALS	DATE	<h2 style="text-align: center;">Amphenol Connex</h2> <p style="text-align: center;">PART DESCRIPTION  <b>BNC "T" ADAPTER / JACK-PLUG-JACK</b>          75ohm</p>	
8				DRAWN	G.R.S.		05/01/04
7				CHECKED			
6				ISSUED			
5				SHEET	1 OF 1		
4	CONTACT PIN	BRASS	GOLD	1	PART NO. 112462		
3	CONTACT PIN	PHOS. BRONZE	GOLD	1	DWG. NO. 112462.DWG		
2	INSULATOR	DELIN	NATURAL	1	REV. A	SIZE A	
1	BODY	DIE CAST	NICKEL	1	SCALE	NA	
UNLESS OTHERWISE SPECIFIED TOLERANCES FOR MILLIMETERS ARE: 0.5 - 8mm ± 0.20mm 8 - 30mm ± 0.40mm 30 - 120mm ± 0.50mm  UNLESS OTHERWISE SPECIFIED TOLERANCES FOR INCHES ARE: .020 - .315 = ± 0.007" .315 - 1.180 = ± 0.015" 1.180 - 4.724 = ± 0.020"  DO NOT SCALE DRAWING				CAD FILE	C:/112/112462.DWG		