

Excellent Integrated System Limited

Stocking Distributor

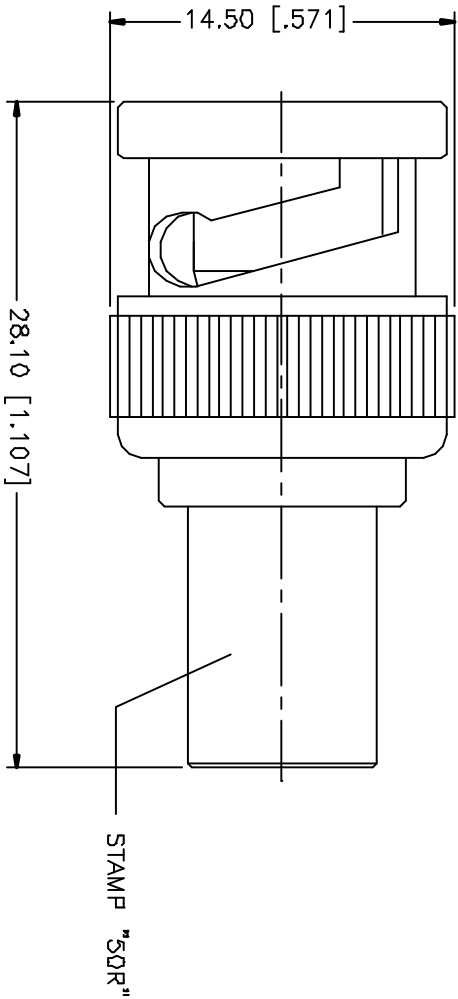
Click to view price, real time Inventory, Delivery & Lifecycle Information:

[Amphenol RF](#)
[202103](#)

For any questions, you can email us directly:

sales@integrated-circuit.com

REV.	DATE	DESCRIPTION
A	05/23/05	UPDATE DRAWING FORMAT



NO.	DESCRIPTION	MATERIAL	FINISH	QTY	UNIT PRICE	TOTAL PRICE
1	BODY	BRASS	NICKEL	1		
2	INSULATOR	DELFIN	NATURAL	1		
3	CONTACT PIN	BRASS	GOLD	1		
4						
5						
6						
7						
8						

UNLESS OTHERWISE SPECIFIED DIMENSIONS ARE IN MILLIMETERS DIMENSIONS IN INCHES ARE FOR CONSUMER REFERENCE ONLY.	APPROVALS	DATE
TOLERANCES SPECIFIED ARE: FRACTIONS FOR MILLIMETERS AND DECIMALS FOR INCHES ARE: 0.5 - 0.9mm ± 0.20mm 1.0 - 4.9mm ± 0.40mm 5.0 - 12.0mm ± 0.50mm LARGER TOLERANCES SPECIFIED DIMENSIONS FOR INCHES ARE: .020 - .315 = ± 0.007" .315 - 1.180 = ± 0.015" 1.180 - 4.724 = ± 0.020"	DRAWN G.R.S.	05/23/05
DO NOT SCALE DRAWING	CHECKED	
	ISSUED	
	SHEET 1 OF 1	
	APP'D FILE C:/202/202103.DWG	
	DWG. NO. 202103.DWG	REV. A
		SIZE A
		SCALE NA

Amphenol Connex	
PART DESCRIPTION BNC TERMINATOR PLUG - 50ohm	
PART NO. 202103	