

## **Excellent Integrated System Limited**

Stocking Distributor

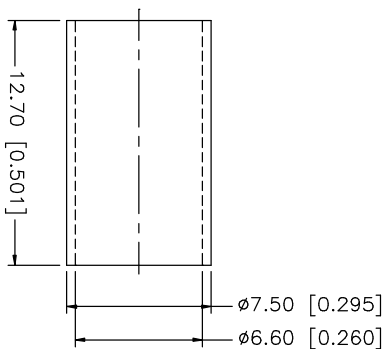
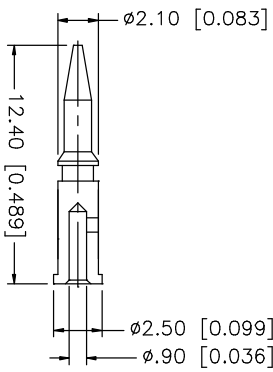
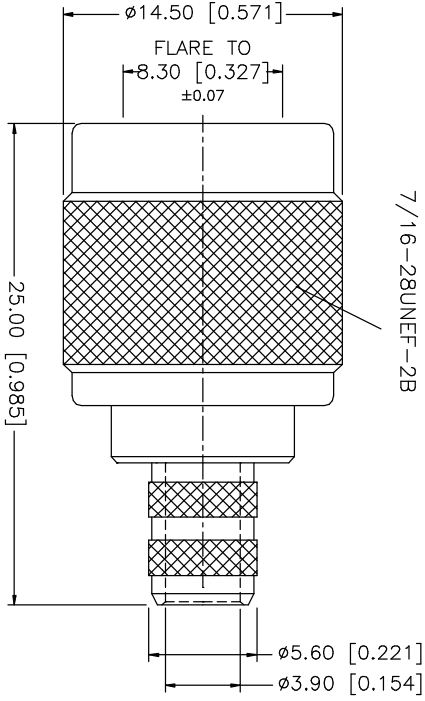
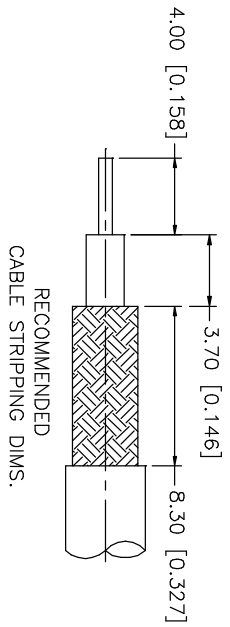
Click to view price, real time Inventory, Delivery & Lifecycle Information:

[Amphenol RF](#)  
[122426](#)

For any questions, you can email us directly:

[sales@integrated-circuit.com](mailto:sales@integrated-circuit.com)

REV.	DATE	DESCRIPTION
A	06/05/03	UPDATE DRAWING FORMAT



- NOTE:
1. CRIMPED FERRULE  
HEX CRIMP SIZE .255"
  2. CRIMPED CONTACT PIN  
HEX CRIMP SIZE .068"

NO.	DESCRIPTION	MATERIAL	FINISH	QTY	DO NOT SCALE DRAWING	APPROVALS	DATE	PART DESCRIPTION
8								<p><b>Amphenol Connex</b></p> <p>TNC CRIMP PLUG (FOR RG 59/U 20AWG CABLE-- 75ohm)</p> <p>122426</p>
7								
6								
5								
4	FERRULE	COPPER	NICKEL	1		CHECKED		
3	CONTACT PIN	BRASS	GOLD	1		ISSUED		
2	INSULATOR	DELRIN	NATURAL	1		SHEET 1 OF 1		
1	BODY	BRASS	NICKEL	1				
DESCRIPTION								
MATERIAL								
FINISH								
QTY								
UNLESS OTHERWISE SPECIFIED DIMENSIONS ARE IN INCHES AND FOR CUSTOMER REFERENCE ONLY.								
UNLESS OTHERWISE SPECIFIED TOLERANCES FOR MILL. ARE:								
0.5 - .8mm ± 0.20mm								
.8 - .30mm ± 0.40mm								
.30 - 120mm ± 0.50mm								
UNLESS OTHERWISE SPECIFIED TOLERANCES FOR INCHES ARE:								
.020 - .315 = ± 0.007"								
.315 - 1.180 = ± 0.015"								
1.180 - 4.724 = ± 0.020"								
CAD FILE								
C:/122/122426.DWG								
DWG. NO.								
122426.DWG								
REV. A								
SIZE A								
SCALE NA								