

Excellent Integrated System Limited

Stocking Distributor

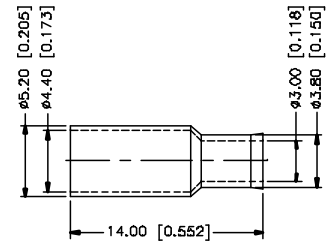
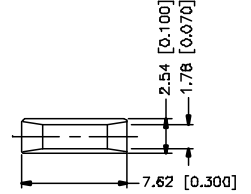
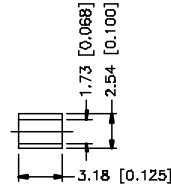
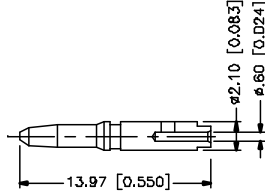
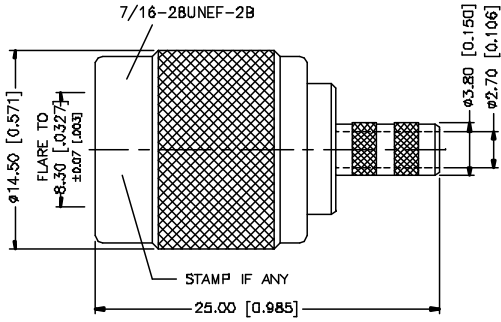
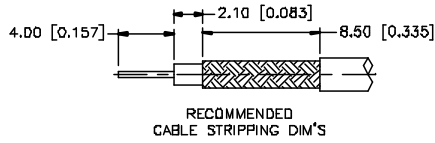
Click to view price, real time Inventory, Delivery & Lifecycle Information:

[Amphenol RF](#)
[122116](#)

For any questions, you can email us directly:

sales@integrated-circuit.com

REV.	DATE	DESCRIPTION
A	02/06/00	UPDATE DIMENSIONS – ADD SLEEVE
B	11/25/03	UPDATE DIMENSIONS



CRIMP NOTES:

1. CRIMPED FERRULE
HEX SIZE .178"
2. CRIMPED CONTACT PIN
HEX CRIMP SIZE .068"
3. VSWR 1.6 MAX. UP TO 3 GHz

REV.	DATE	DESCRIPTION	APPROVALS	DATE	DESCRIPTION
B					
7	FERRULE	BRASS	NICKEL	1	Amphenol Connex TNC CRIMP PLUG (FOR RG-174/U, 188A/U, 316/U CABLE)
8	SPADER	BRASS	NICKEL	1	
5	SLEEVE	TEFLON	NATURAL	1	
4	RETAINER RING	BRASS	NICKEL	1	
3	INSULATOR	TEFLON	NATURAL	1	
2	CONTACT PIN	BRASS	GOLD	1	PART NO.
1	SHELL/BODY	BRASS	NICKEL	1	122116
	DESCRIPTION	MATERIAL	FINISH	QTY	DWG. NO.
				DO NOT SCALE DRAWING	122116.DWG
					REV. B
					SIZE A
					SCALE NA

UNLESS OTHERWISE SPECIFIED DIMENSIONS ARE IN MILLIMETERS. DIMENSIONS IN [] ARE IN INCHES AND FOR CUSTOMER REFERENCE ONLY.
 UNLESS OTHERWISE SPECIFIED TOLERANCES FOR MILLIMETERS ARE:
 0.5 - 30mm ± 0.20mm
 30 - 120mm ± 0.40mm
 120 - 300mm ± 0.50mm
 UNLESS OTHERWISE SPECIFIED TOLERANCES FOR INCHES ARE:
 .020 - .315 = ± 0.007"
 .315 - 1.180 = ± 0.015"
 1.180 - 4.724 = ± 0.020"

DRAWN G.R.S. 11/25/03
 CHECKED
 ISSUED
 SHEET 1 OF 1
 DAD FILE C:/122/122116.DWG