

## **Excellent Integrated System Limited**

Stocking Distributor

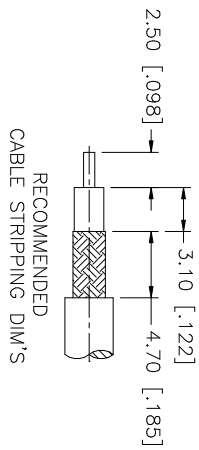
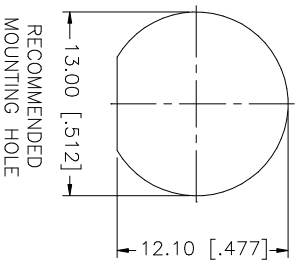
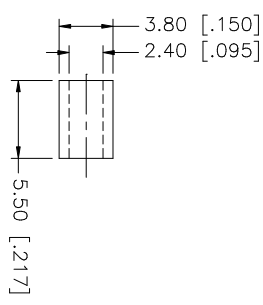
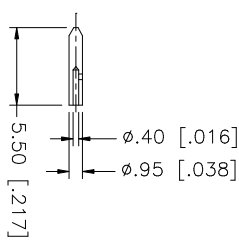
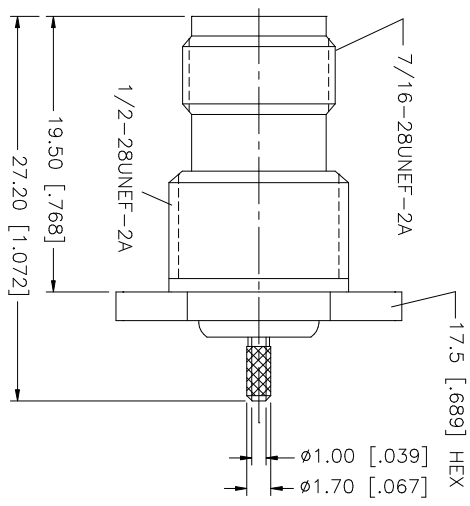
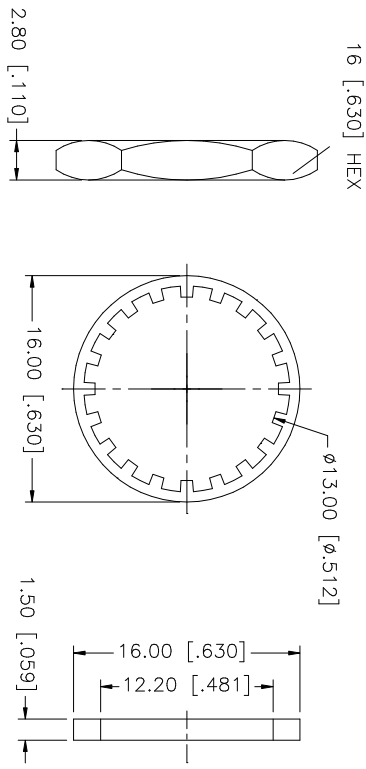
Click to view price, real time Inventory, Delivery & Lifecycle Information:

[Amphenol RF](#)  
[122370](#)

For any questions, you can email us directly:

[sales@integrated-circuit.com](mailto:sales@integrated-circuit.com)

REV.	DATE	DESCRIPTION
A	06/29/04	UPDATE DRAWING FORMAT
B	03/27/05	ADD 17.5 HEX DIMENSION



**CRIMP NOTES:**

1. CRIMPED FERRULE  
HEX CRIMP SIZE :.128"
2. CRIMPED CONTACT PIN  
SQ. CRIMP SIZE :.7mm
3. MAX. PANEL THICKNESS= 5.5mm

**Amphenol Connex**

TNC BULKHEAD CRIMP JACK  
(FOR RG-178B/U, 196A/U CABLE)

QTY	FINISH	MATERIAL	DESCRIPTION
1	NICKEL	BRASS	BODY
1	NATURAL	DELRIN	INSULATOR
1	GOLD	BRASS	CONTACT PIN
1	RED	RUBBER	GASKET
1	NICKEL	BRASS	LOCK WASHER
1	NICKEL	BRASS	HEX NUT
1	NICKEL	COPPER	FERRULE

APPROVALS	DATE
G.R.S.	03/27/05

DO NOT SCALE DRAWING	CD FILE	DWG. NO.	REV.	SIZE	SCALE
	C:/122/122370.DWG	122370.DWG	B	A	NA