

Excellent Integrated System Limited

Stocking Distributor

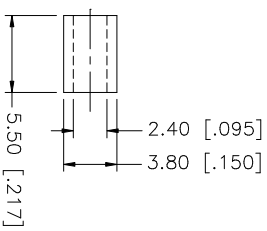
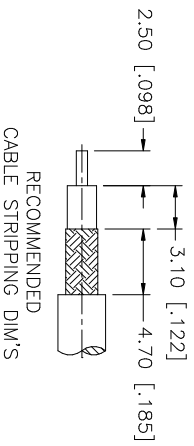
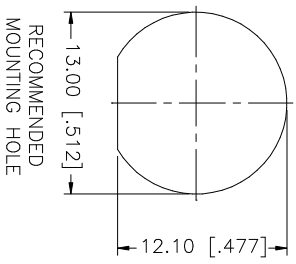
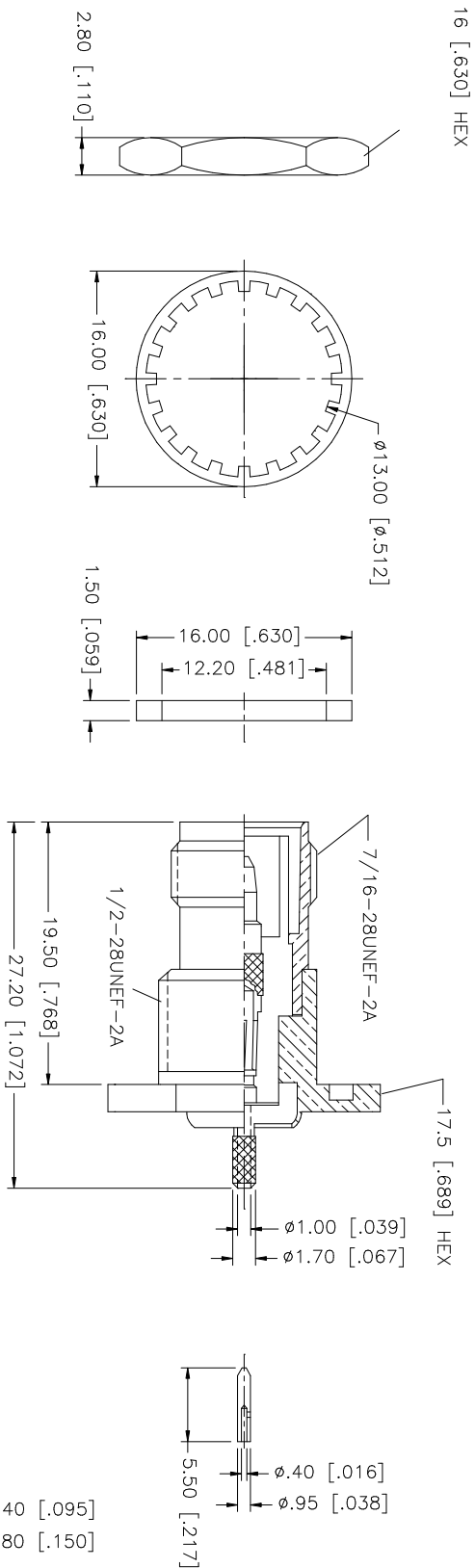
Click to view price, real time Inventory, Delivery & Lifecycle Information:

[Amphenol RF](#)
[122370RP](#)

For any questions, you can email us directly:

sales@integrated-circuit.com

REV.	DATE	DESCRIPTION
A	01/10/04	UPDATE DRAWING FORMAT
B	03/27/05	ADD 17.5 HEX DIMENSION
C	04/12/06	MODIFY INTERNAL X-SECTION



CRIMP NOTES:

1. CRIMPED FERRULE
HEX CRIMP SIZE .128"
2. CRIMPED CONTACT PIN
SQ. CRIMP SIZE .7mm
3. MAX. PANEL THICKNESS= 5.0mm

8	7	6	5	4	3	2	1
FERRULE	HEX NUT	LOCK WASHER	GASKET	CONTACT PIN	INSULATOR	BODY	DESCRIPTION
COPPER	BRASS	BRASS	RUBBER	PHOS. BRONZE	TEFLON	BRASS	MATERIAL
NICKEL	NICKEL	NICKEL	RED	GOLD	NATURAL	NICKEL	FINISH
1	1	1	1	1	1	1	QTY
UNLESS OTHERWISE SPECIFIED DIMENSIONS ARE IN MILLIMETERS. DIMENSIONS IN [] ARE IN INCHES AND FOR CUSTOMER REFERENCE ONLY. UNLESS OTHERWISE SPECIFIED TOLERANCES FOR MILLIMETERS ARE: 0.5 - 8mm ± 0.20mm 8 - 30mm ± 0.40mm 30 - 120mm ± 0.50mm UNLESS OTHERWISE SPECIFIED TOLERANCES FOR INCHES ARE: .020 - .315 = ± 0.007" .315 - 1.180 = ± 0.015" 1.180 - 4.724 = ± 0.020"							
APPROVALS DRAWN G.R.S. DATE 04/12/06 CHECKED ISSUED SHEET 1 OF 1							
CAD FILE C:/122/122370RP.DWG DWG. NO. 122370RP.DWG REV. C SIZE A SCALE NA							
Amphenol Connex TNC REVERSE BULKHEAD CRIMP JACK (FOR RG-178B/U, 196A/U CABLE) 122370RP							