

Excellent Integrated System Limited

Stocking Distributor

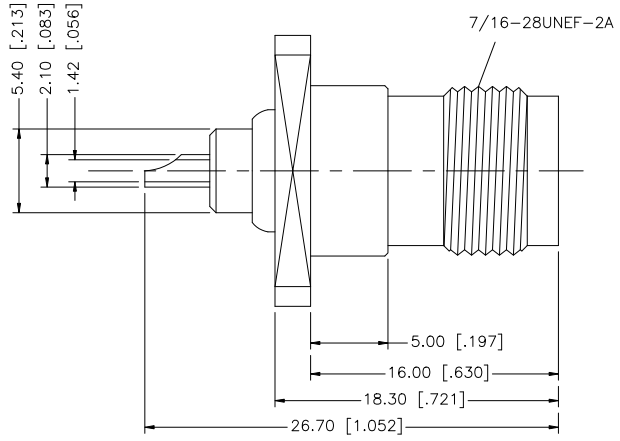
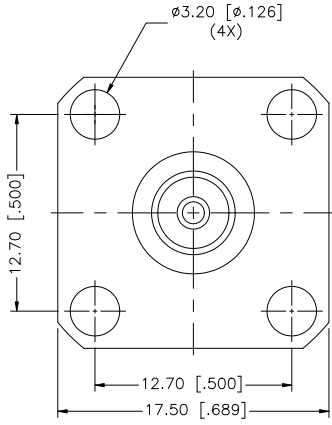
Click to view price, real time Inventory, Delivery & Lifecycle Information:

[Amphenol RF](#)
[122248](#)

For any questions, you can email us directly:

sales@integrated-circuit.com

REV.	DATE	ECR NO.	DESCRIPTION
NC	10/28/01	-	INITIAL RELEASE
A	02/15/09	-	UPDATE DRAWING FORMAT



REV.	DESCRIPTION	MATERIAL	FINISH	QTY	UNLESS OTHERWISE SPECIFIED DIMENSIONS ARE IN MILLIMETERS. DIMENSIONS IN [] ARE IN INCHES AND FOR CUSTOMER REFERENCE ONLY.	APPROVALS	DATE	Amphenol Connex		
8					UNLESS OTHERWISE SPECIFIED TOLERANCES FOR MILLIMETERS ARE: 0.5 - 8mm ± 0.20mm 8 - 30mm ± 0.40mm 30 - 120mm ± 0.50mm UNLESS OTHERWISE SPECIFIED TOLERANCES FOR INCHES ARE: .020 - .315 = ± 0.007" .315 - 1.180 = ± 0.015" 1.180 - 4.724 = ± 0.020"	APPROVALS	DATE	TNC PANEL JACK - 50 Ohms 122248		
7				DRAWN		GRS	02/15/09			
6				CHECKED						
5				ISSUED						
4	CONTACT PIN	PHOS. BRONZE	GOLD	1	DO NOT SCALE DRAWING	SHEET	1 OF 1	DWG. NO. 122248.DWG REV. A SIZE A SCALE NA		
3	INSULATOR	PTFE	NATURAL	1		CAD FILE	C:/122/122248.DWG			
2	HOUSING	BRASS	NICKEL	1						
1	BODY	BRASS	NICKEL	1						