

## **Excellent Integrated System Limited**

Stocking Distributor

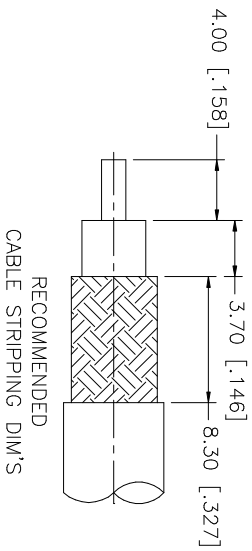
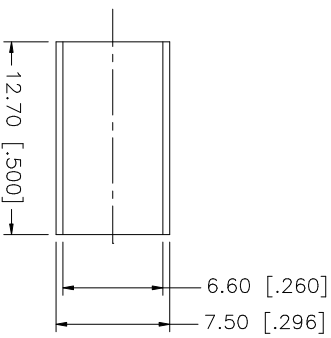
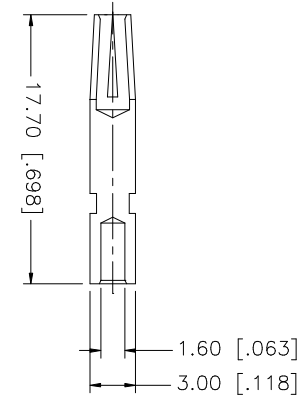
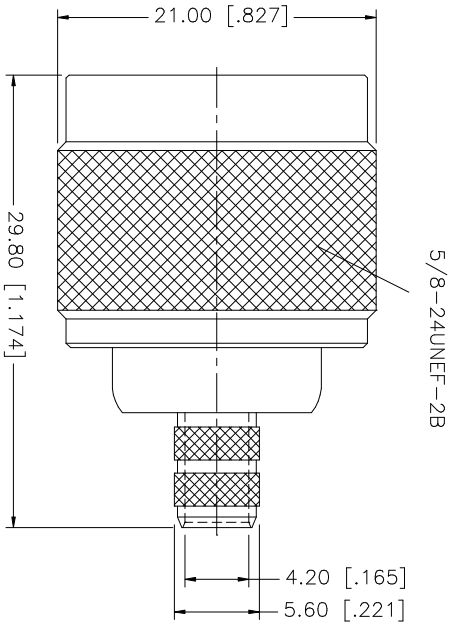
Click to view price, real time Inventory, Delivery & Lifecycle Information:

[Amphenol RF](#)  
[172135RP](#)

For any questions, you can email us directly:

[sales@integrated-circuit.com](mailto:sales@integrated-circuit.com)

REV.	DATE	DESCRIPTION
NC	10/25/99	INITIAL RELEASE
A	07/20/05	UPDATE DRAWING FORMAT
B	06/29/06	REVISE PLATING TO NEXCOTE



8																								
7																								
6																								
5																								
4	FERRULE	COPPER	NICKEL	1																				
3	CONTACT PIN	PHOS. BRONZE	GOLD	1																				
2	INSULATOR	TEFLON	NATURAL	1																				
1	BODY	BRASS	NEXCOTE	1																				
DESCRIPTION		MATERIAL		FINISH		QTY		DO NOT SCALE DRAWING		CAD FILE		APPROVALS		DATE		DWG. NO.		REV.		SIZE		SCALE		
										C:/172/172135RP.DWG		G.R.S.		06/29/06		172135RP.DWG		B		A		NA		
<p>UNLESS OTHERWISE SPECIFIED DIMENSIONS ARE IN MILLIMETERS. DIMENSIONS IN [ ] ARE IN INCHES AND FOR CUSTOMER REFERENCE ONLY.</p> <p>UNLESS OTHERWISE SPECIFIED TOLERANCES FOR MILLIMETERS ARE:</p> <p>0.5 - 8mm ± 0.20mm        8 - 30mm ± 0.40mm        30 - 120mm ± 0.50mm</p> <p>UNLESS OTHERWISE SPECIFIED TOLERANCES FOR INCHES ARE:</p> <p>.020 - .315 = ± 0.007"        .315 - 1.180 = ± 0.015"        1.180 - 4.724 = ± 0.020"</p> <p><b>Amphenol Connex</b></p> <p>N REVERSE POLARITY CRIMP PLUG (FOR 8X/ LMR 240 CABLE)</p> <p>172135RP</p>																								