

## Excellent Integrated System Limited

Stocking Distributor

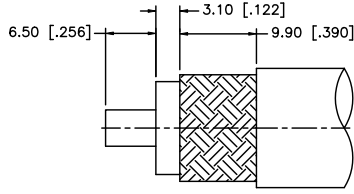
Click to view price, real time Inventory, Delivery & Lifecycle Information:

[Amphenol RF](#)  
[172206](#)

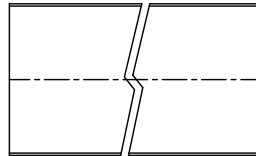
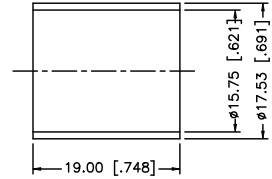
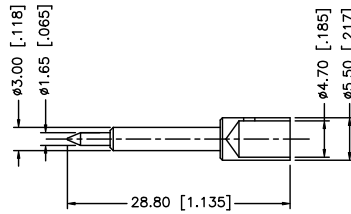
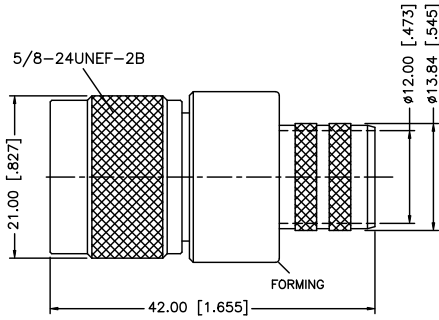
For any questions, you can email us directly:

[sales@integrated-circuit.com](mailto:sales@integrated-circuit.com)

REV.	DATE	ECR NO.	DESCRIPTION
A	01/30/04	-	UPDATE DRAWING FORMAT
B	09/23/08	100043	REVISE HEX CRIMP DIMENSIONS (NOTES 1 AND 2)



RECOMMENDED  
CABLE STRIPPING DIM'S



HEAT SHRINK TUBE

NOTE:

1. CRIMPED FERRULE HEX CRIMP SIZE .610" [15.50]
2. CONTACT PIN TO SOLDER.

DESCRIPTION	MATERIAL	FINISH	QTY	UNLESS OTHERWISE SPECIFIED DIMENSIONS ARE IN MILLIMETERS. DIMENSIONS IN [ ] ARE IN INCHES AND FOR CUSTOMER REFERENCE ONLY.	APPROVALS	DATE	<h1 style="color: blue;">Amphenol Connex</h1> <p>PART DESCRIPTION <b>N CRIMP PLUG - LMR 600 CABLE</b></p> <p>PART NO. <b>172206</b></p> <p>DWG. NO. 172206.DWG</p> <p>REV. B SIZE A SCALE NA</p>	
8					DRAWN	GRS		09/23/08
7					CHECKED			
6					ISSUED			
5	HEAT SHRINK TUBE		1	UNLESS OTHERWISE SPECIFIED TOLERANCES FOR MILLIMETERS ARE: 0.5 - 8mm ± 0.20mm 8 - 30mm ± 0.40mm 30 - 120mm ± 0.50mm UNLESS OTHERWISE SPECIFIED TOLERANCES FOR INCHES ARE: .020 - .315 = ± 0.007" .315 - 1.180 = ± 0.015" 1.180 - 4.724 = ± 0.020"	SHEET	1 OF 1		
4	FERRULE	COPPER	NEXCOTE	1	CAD FILE C:/172/172206.DWG			
3	CONTACT PIN	BRASS	GOLD	1	DO NOT SCALE DRAWING			
2	INSULATOR	PTFE	NATURAL	1				
1	BODY	BRASS	NEXCOTE	1				