

Excellent Integrated System Limited

Stocking Distributor

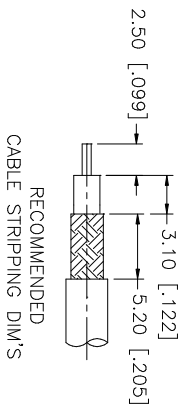
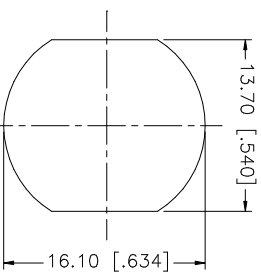
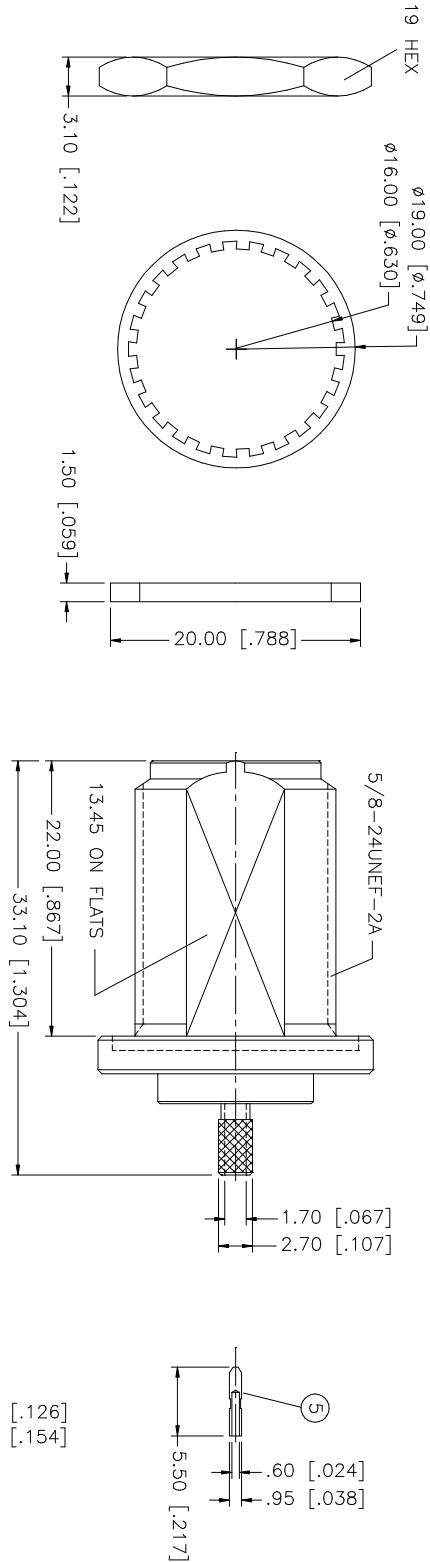
Click to view price, real time Inventory, Delivery & Lifecycle Information:

[Amphenol RF](#)
[172129RP](#)

For any questions, you can email us directly:

sales@integrated-circuit.com

REV.	DATE	DESCRIPTION
NC	03/21/04	UPDATE DRAWING FORMAT



- NOTES:
1. CRIMPED FERRULE HEX CRIMP SIZE ".128"
 2. CRIMPED CONTACT PIN SQ. CRIMP SIZE 0.7mm OR SOLDER
 3. MAX. PANEL THICKNESS = 6.5mm

DESCRIPTION	MATERIAL	FINISH	QTY	DO NOT SCALE DRAWING	APPROVALS	DATE	PART DESCRIPTION	DWG. NO.	REV.	SIZE	SCALE
8 FERRULE	COPPER	NEXCOTE	1				Amphenol Connex N REVERSE POLARITY BULKHEAD CRIMP JACK (FOR RG-174/U, 188A/U, 316/U)	172129RP	NC	A	N/A
7 GASKET	SILICONE	RED	1								
6 HEX NUT	BRASS	NEXCOTE	1								
5 LOCK WASHER	BRASS	NEXCOTE	1								
4 CONTACT PIN	PHOS. BRONZE	GOLD	1								
3 INSULATOR	TEFLON	NATURAL	1								
2 BODY	BRASS	NEXCOTE	1								
1 DESCRIPTION											

UNLESS OTHERWISE SPECIFIED DIMENSIONS ARE IN INCHES AND FOR CUSTOMER INSURANCE ONLY.

TOLERANCES FOR MILLIMETERS ARE:

0.5 - 8mm ± 0.20mm

8 - 30mm ± 0.40mm

30 - 120mm ± 0.50mm

UNLESS OTHERWISE SPECIFIED TOLERANCES FOR INCHES ARE:

.020 - .315 = ± 0.007"

.315 - 1.180 = ± 0.015"

1.180 - 4.724 = ± 0.020"

APPROVALS

DRAWN G.R.S.

CHECKED

ISSUED

SHEET 1 OF 1

CAD FILE

C:/172/172129RP.DWG

DATE 03/21/04