

Excellent Integrated System Limited

Stocking Distributor

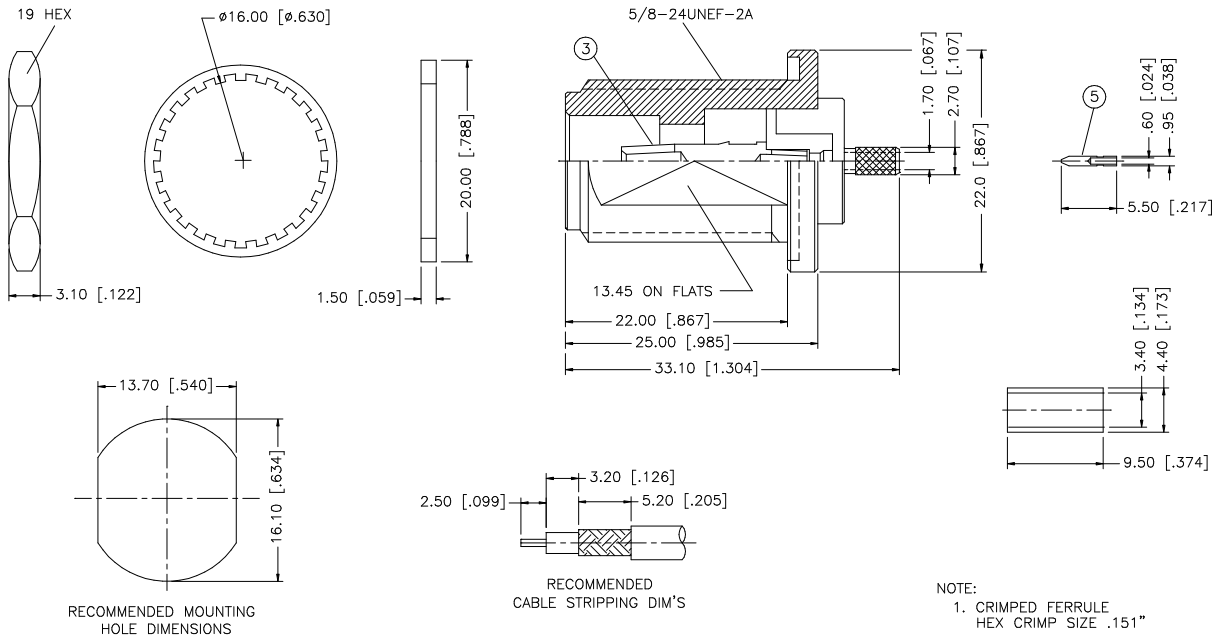
Click to view price, real time Inventory, Delivery & Lifecycle Information:

[Amphenol RF](#)
[172165](#)

For any questions, you can email us directly:

sales@integrated-circuit.com

REV.	DATE	DESCRIPTION
B	01/29/00	MODIFY FERRULE DIMS./ CHANGE NOTES
C	06/05/03	UPDATE DRAWING FORMAT
D	11/20/06	REVISE BARREL I.D. TO 2.70mm



RECOMMENDED MOUNTING HOLE DIMENSIONS

RECOMMENDED CABLE STRIPPING DIM'S

- NOTE:
1. CRIMPED FERRULE
HEX CRIMP SIZE .151"
 2. CRIMPED CONTACT PIN
SQ. CRIMP SIZE 0.7mm
 3. MAX. PANEL THICKNESS = 7mm

QTY	DESCRIPTION	MATERIAL	FINISH	QTY	DO NOT SCALE DRAWING	APPROVALS	DATE	Amphenol Connex				
8								PART DESCRIPTION N BULKHEAD CRIMP JACK (FOR RG-316/U DOUBLE BRAID CABLE)				
7	FERRULE	COPPER	NEXCOTE	1		DRAWN	G.R.S.					11/20/06
6	HEX NUT	BRASS	NEXCOTE	1		CHECKED			DWG. NO. 172165.DWG			
5	LOCK WASHER	BRASS	NEXCOTE	1		ISSUED						
4	GASKET	SILICONE	RED	1		SHEET	1 OF 1		SIZE A			
3	CONTACT PIN	BRASS	GOLD	1		CAD FILE	C:/172/172165.DWG					
2	INSULATOR	TEFLON	NATURAL	1								
1	BODY	BRASS	NEXCOTE	1								

UNLESS OTHERWISE SPECIFIED DIMENSIONS ARE IN MILLIMETERS DIMENSIONS IN [] ARE IN INCHES AND FOR CUSTOMER REFERENCE ONLY.

UNLESS OTHERWISE SPECIFIED TOLERANCES FOR MILLIMETERS ARE:
 0.5 - 8mm ± 0.20mm
 8 - 30mm ± 0.40mm
 30 - 120mm ± 0.50mm

UNLESS OTHERWISE SPECIFIED TOLERANCES FOR INCHES ARE:
 .020 - .315 = ± 0.007"
 .315 - 1.180 = ± 0.015"
 1.180 - 4.724 = ± 0.020"