

## **Excellent Integrated System Limited**

Stocking Distributor

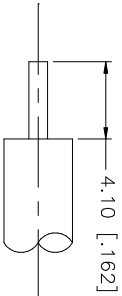
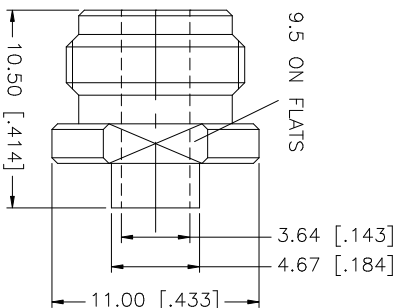
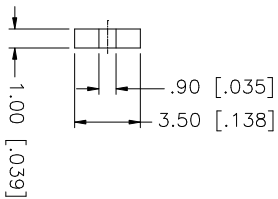
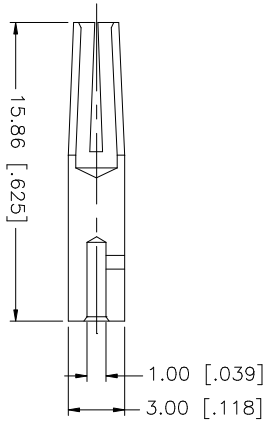
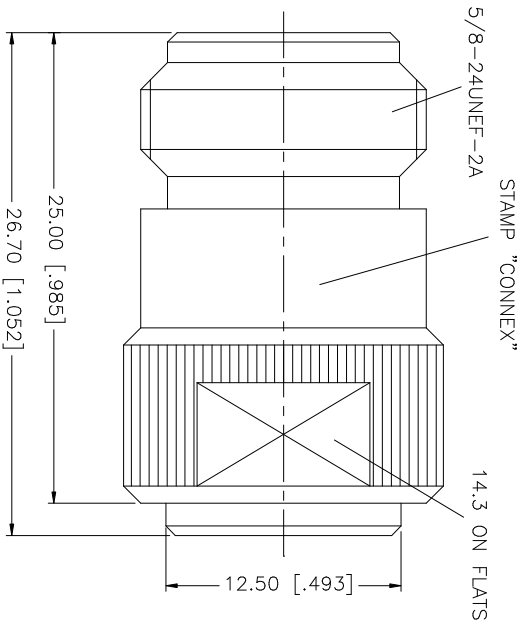
Click to view price, real time Inventory, Delivery & Lifecycle Information:

[Amphenol RF](#)  
[172238](#)

For any questions, you can email us directly:

[sales@integrated-circuit.com](mailto:sales@integrated-circuit.com)

REV.	DATE	DESCRIPTION
NC	10/23/00	INITIAL RELEASE
A	06/25/06	UPDATE DRAWING FORMAT, REVISE PLATING TO NEXCOTE



RECOMMENDED CABLE  
 STRIPPING DIM'S

NOTE:

1. CRIMPED CONTACT PIN HEX. CRIMP SIZE .100"

QTY	FINISH	MATERIAL	DESCRIPTION
1	NEXCOTE	BRASS	BODY
2	NATURAL	TEFLON	INSULATOR
1	GOLD	PHOS. BRONZE	CONTACT PIN
1	GOLD	BRASS	SOLDER NUT

APPROVALS	DATE	UNLESS OTHERWISE SPECIFIED DIMENSIONS ARE IN MILLIMETERS DIMENSIONS IN [ ] ARE IN INCHES AND FOR CUSTOMER REFERENCE ONLY.
G.R.S.	06/25/06	UNLESS OTHERWISE SPECIFIED TOLERANCES FOR MILLIMETERS ARE: 0.5 - 30mm ± 0.20mm 8 - 30mm ± 0.40mm 30 - 120mm ± 0.50mm
CHECKED		UNLESS OTHERWISE SPECIFIED TOLERANCES FOR INCHES ARE: .020 - .315 = ± 0.007" .315 - 1.180 = ± 0.015" 1.180 - 4.724 = ± 0.020"
ISSUED		DO NOT SCALE DRAWING
SHEET	1 OF 1	

CAD FILE	DWG. NO.	REV.	SIZE	SCALE
C:/1722/172238.DWG	172238.DWG	A	A	N/A

PART NO.	PART DESCRIPTION
172238	N DIRECT SOLDER JACK (FOR .141" SEMI RIGID CABLE)

**Amphenol Connex**