

Excellent Integrated System Limited

Stocking Distributor

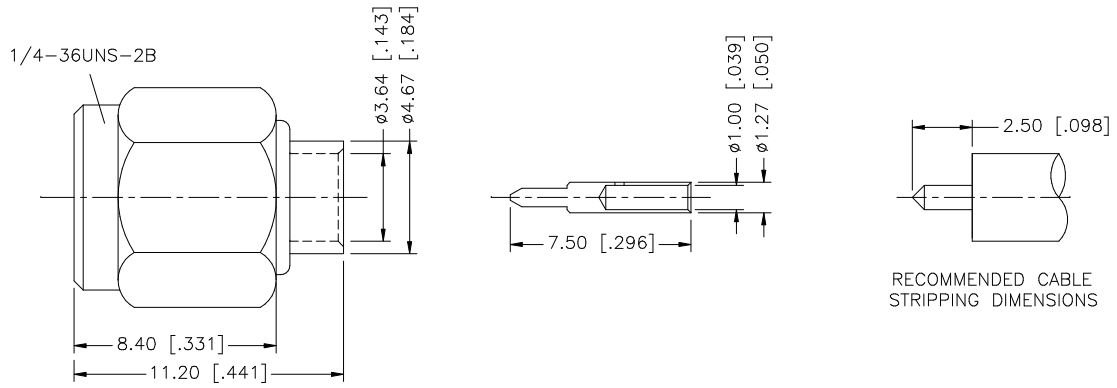
Click to view price, real time Inventory, Delivery & Lifecycle Information:

[Amphenol RF](#)
[132102](#)

For any questions, you can email us directly:

sales@integrated-circuit.com

REV.	DATE	DESCRIPTION
C	04/31/03	UPDATE DRAWING FORMAT



DESCRIPTION	MATERIAL	FINISH	QTY	UNLESS OTHERWISE SPECIFIED DIMENSIONS ARE IN MILLIMETERS. DIMENSIONS IN [] ARE IN INCHES AND FOR CUSTOMER REFERENCE ONLY.	APPROVALS	DATE	Amphenol Connex					
8				UNLESS OTHERWISE SPECIFIED TOLERANCES FOR MILLIMETERS ARE: 0.5 - 8mm ± 0.20mm 8 - 30mm ± 0.40mm 30 - 120mm ± 0.50mm UNLESS OTHERWISE SPECIFIED TOLERANCES FOR INCHES ARE: .020 - .315 = ± 0.007" .315 - 1.180 = ± 0.015" 1.180 - 4.724 = ± 0.020"	DRAWN	G.R.S.	04/31/03	SMA SEMI-RIGID PLUG (FOR .141" SEMI-RIGID CABLE) PART NO. 132102				
7			CHECKED									
6			ISSUED									
5	GASKET	SILICONE	RED		1	SHEET	1 OF 1					
4	RETAINER RING	BER. COPPER	NATURAL	1	CAD FILE		C:/132/132102.DWG	DWG. NO.	132102.DWG	REV. C	SIZE A	SCALE NA
3	CONTACT PIN	BRASS	GOLD	1								
2	INSULATOR	TEFLON	NATURAL	1								
1	SHELL/BODY	BRASS	GOLD	1								
DO NOT SCALE DRAWING												