

Excellent Integrated System Limited

Stocking Distributor

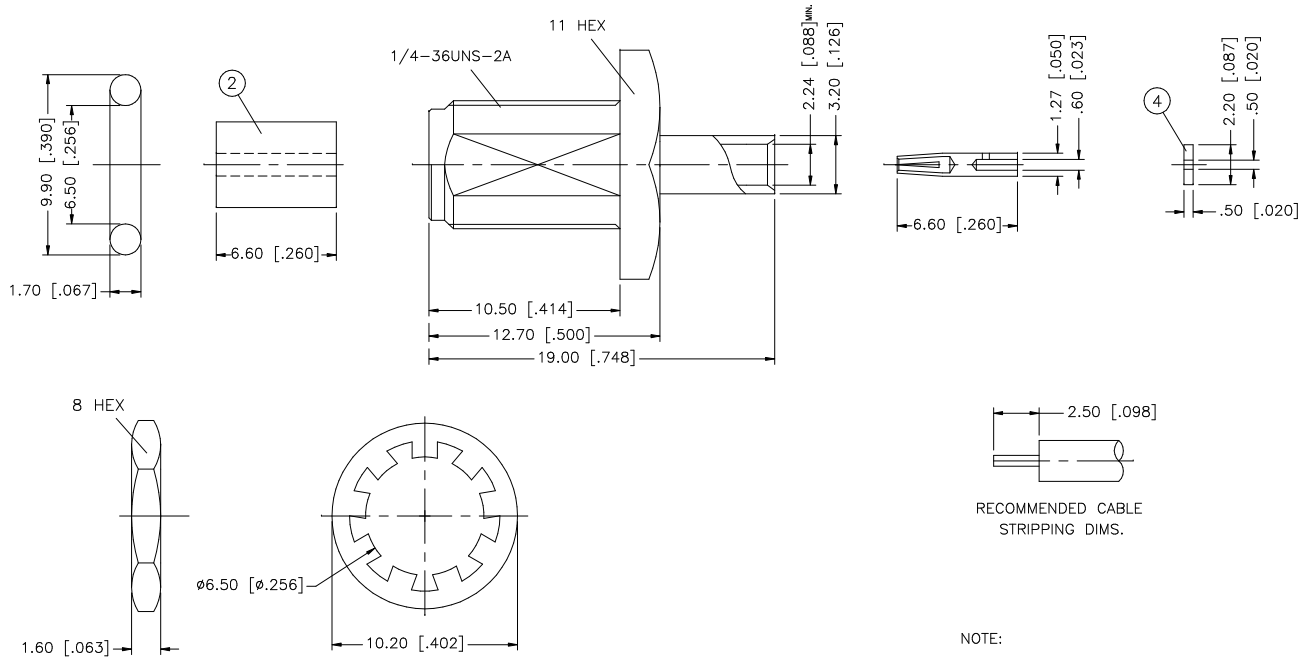
Click to view price, real time Inventory, Delivery & Lifecycle Information:

[Amphenol RF](#)
[132105](#)

For any questions, you can email us directly:

sales@integrated-circuit.com

REV.	DATE	DESCRIPTION
B	01/12/98	ADD INSULATOR/ STRIPPING DIM'S
C	02/11/99	MODIFY 'O'-RING DIMENSIONS
D	01/29/03	UPDATE DRAWING FORMAT



RECOMMENDED CABLE STRIPPING DIMS.

NOTE:

- CONTACT PIN TO SOLDER
- MAX. PANEL THICKNESS = 2.4mm

DESCRIPTION	MATERIAL	FINISH	QTY	UNLESS OTHERWISE SPECIFIED DIMENSIONS ARE IN MILLIMETERS. DIMENSIONS IN [] ARE IN INCHES AND FOR CUSTOMER REFERENCE ONLY.	APPROVALS	DATE	<h1 style="color: blue; margin: 0;">Amphenol Connex</h1>
8					DRAWN	G.R.S.	
7	FERRULE	BRASS	GOLD		CHECKED		
6	LOCK WASHER	BRASS	GOLD	1	ISSUED		
5	GASKET	SILICONE	RED	1	SHEET	1 OF 1	
4	INSULATOR	TEFLON	NATURAL	1	CAD FILE	C:/132/132105.DWG	
3	CONTACT PIN	BER. COPPER	GOLD	1	DWG. NO.	132105.DWG	
2	INSULATOR	TEFLON	NATURAL	1	REV.	D	
1	BODY	BRASS	GOLD	1	SIZE	A	
				DO NOT SCALE DRAWING	SCALE	NA	

Amphenol Connex

**SMA DIRECT SOLDER BULKHEAD JACK
(FOR .085", .086" SEMI-RIGID CABLE)**

132105