

Excellent Integrated System Limited

Stocking Distributor

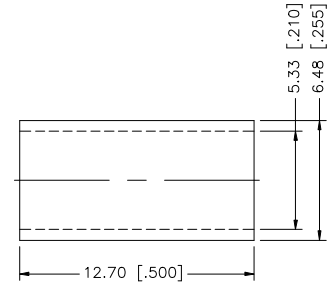
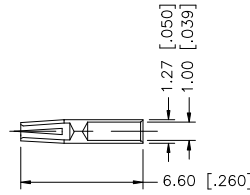
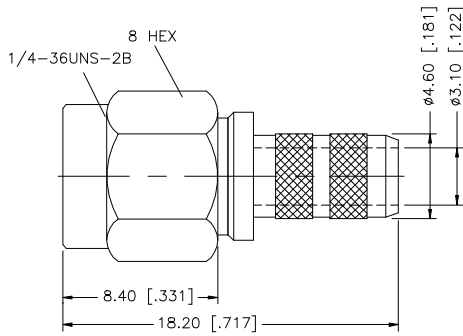
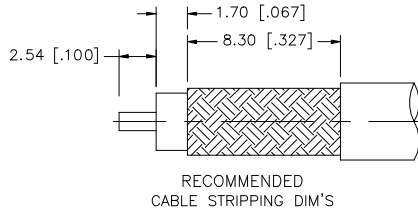
Click to view price, real time Inventory, Delivery & Lifecycle Information:

[Amphenol RF](#)
[132113RP](#)

For any questions, you can email us directly:

sales@integrated-circuit.com

REV.	DATE	DESCRIPTION
NC	06/05/03	UPDATE DRAWING FORMAT



- NOTE:
 1. CRIMPED FERRULE
 HEX CRIMP SIZE .213"
 2. CONTACT PIN TO SOLDER

8				UNLESS OTHERWISE SPECIFIED DIMENSIONS ARE IN MILLIMETERS. DIMENSIONS IN [] ARE IN INCHES AND FOR CUSTOMER REFERENCE ONLY.	APPROVALS	DATE	Amphenol Connex
7				UNLESS OTHERWISE SPECIFIED TOLERANCES FOR MILLIMETERS ARE: 0.5 - 8mm ± 0.20mm 8 - 30mm ± 0.40mm 30 - 120mm ± 0.50mm	DRAWN G.R.S.	06/05/03	
6				UNLESS OTHERWISE SPECIFIED TOLERANCES FOR INCHES ARE: .020 - .315 = ± 0.007" .315 - 1.180 = ± 0.015" 1.180 - 4.724 = ± 0.020"	CHECKED		PART NO. 132113RP
5					ISSUED		
4	FERRULE	COPPER	GOLD	1	SHEET 1 OF 1		REV. NC
3	CONTACT PIN	BER. COPPER	GOLD	1			SIZE A
2	INSULATOR	TEFLON	NATURAL	1			SCALE NA
1	BODY	BRASS	GOLD	1			
DESCRIPTION MATERIAL FINISH QTY				DO NOT SCALE DRAWING	CAD FILE C:/132/132113RP.DWG		