

## Excellent Integrated System Limited

Stocking Distributor

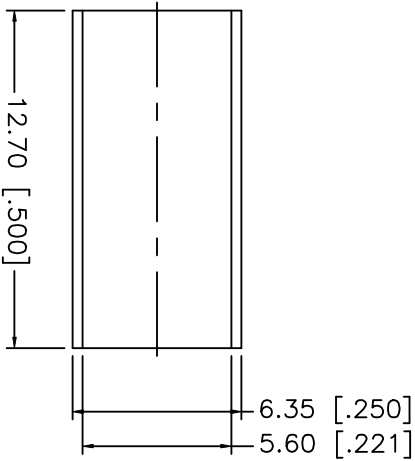
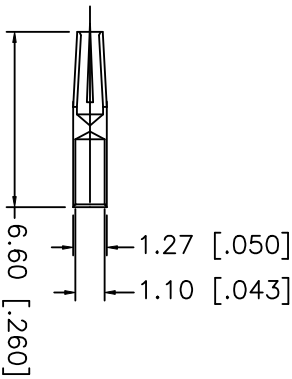
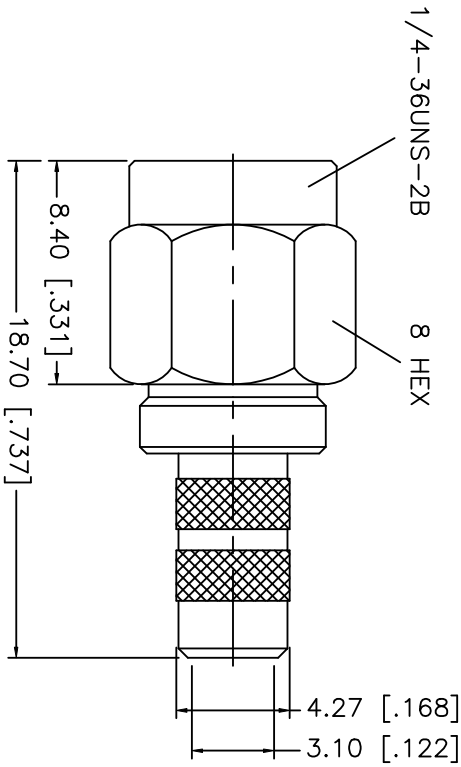
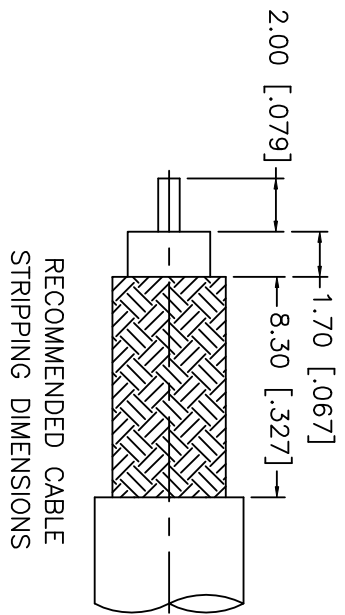
Click to view price, real time Inventory, Delivery & Lifecycle Information:

[Amphenol RF](#)  
[132195RP](#)

For any questions, you can email us directly:

[sales@integrated-circuit.com](mailto:sales@integrated-circuit.com)

REV.	DATE	DESCRIPTION
NC	01/26/01	UPDATE TITLE BLOCK



- CRIMP NOTES:
1. CRIMPED FERRULE  
HEX CRIMP SIZE .213"
  2. SOLDER CENTER CONTACT

8																				
7																				
6																				
5																				
4	FERRULE	COPPER	GOLD																	
3	CONTACT PIN	BER. COPPER	GOLD																	
2	INSULATOR	TEFLON	NATURAL																	
1	BODY	BRASS	GOLD																	
	DESCRIPTION	MATERIAL	FINISH																	
				UNLESS OTHERWISE SPECIFIED DIMENSIONS ARE IN MILLIMETERS				APPROVALS				DATE				TITLE				
				DIMENSIONS IN [ ] ARE IN INCHES FOR CUSTOMER REFERENCE ONLY				DRAWN G.R.S.				01/26/01				SMA REVERSE POLARITY CRIMP PLUG (FOR RG-55/U, 142A/U, 223/U, 400/U)				
				UNLESS OTHERWISE SPECIFIED TOLERANCES FOR INCHES ARE: .XXX = ± 0.005" .XX = ± 0.010" .X = ± 0.020"				CHECKED				ISSUED				SIZE A				
				DO NOT SCALE DRAWING												FSQM NO. 99001				
																DWG. NO. 132195RP.DWG				
																SCALE NA				
																PART NO. 132195RP				
																SHEET 1 OF 1				
																REV. A				

**Amphenol - Connex**  
 CONNECTOR CORPORATION