

Excellent Integrated System Limited

Stocking Distributor

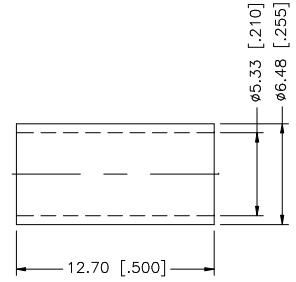
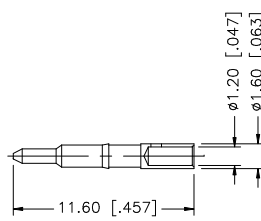
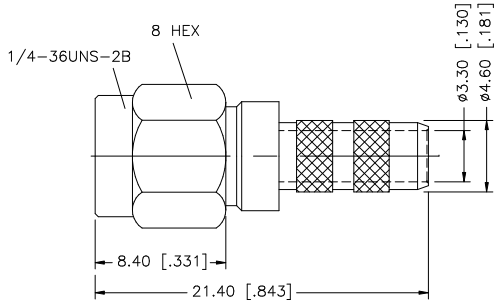
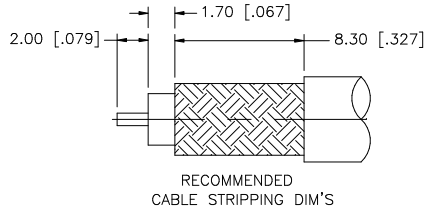
Click to view price, real time Inventory, Delivery & Lifecycle Information:

[Amphenol RF](#)
[132234](#)

For any questions, you can email us directly:

sales@integrated-circuit.com

REV.	DATE	DESCRIPTION
A	01/25/04	UPDATE DRAWING FORMAT



NOTE:

1. CRIMPED FERRULE
HEX CRIMP SIZE .213"
2. CONTACT PIN TO SOLDER

8					<small>UNLESS OTHERWISE SPECIFIED DIMENSIONS ARE IN MILLIMETERS. DIMENSIONS IN [] ARE IN INCHES AND FOR CUSTOMER REFERENCE ONLY.</small> <small>UNLESS OTHERWISE SPECIFIED TOLERANCES FOR MILLIMETERS ARE:</small> 0.5 - 8mm ± 0.20mm 8 - 30mm ± 0.40mm 30 - 120mm ± 0.50mm <small>UNLESS OTHERWISE SPECIFIED TOLERANCES FOR INCHES ARE:</small> .020 - .315 = ± 0.007" .315 - 1.180 = ± 0.015" 1.180 - 4.724 = ± 0.020"	APPROVALS	DATE			
7				DRAWN		G.R.S.	01/25/04		PART DESCRIPTION SMA CRIMP PLUG (FOR TIMES LMR-200)	
6				CHECKED						PART NO. 132234
5				ISSUED						
4	FERRULE	COPPER	GOLD	1	SHEET	1 OF 1				
3	CONTACT PIN	BRASS	GOLD	1	CAD FILE					
2	INSULATOR	TEFLON	NATURAL	1	C:/132/132234.DWG					
1	BODY	BRASS	GOLD	1	DO NOT SCALE DRAWING					
	DESCRIPTION	MATERIAL	FINISH	QTY						