

Excellent Integrated System Limited

Stocking Distributor

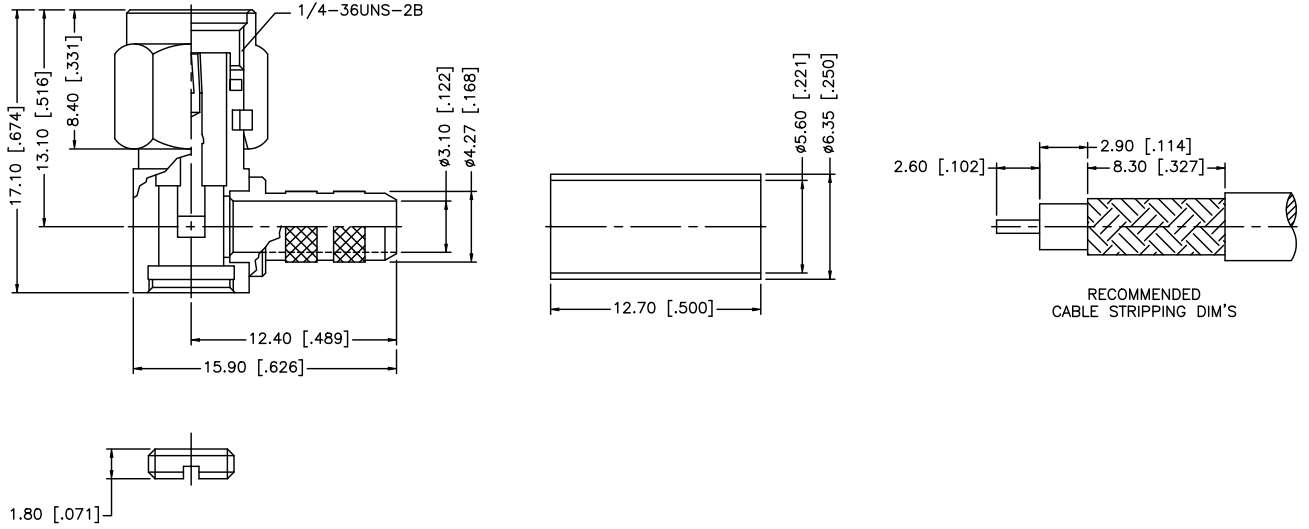
Click to view price, real time Inventory, Delivery & Lifecycle Information:

[Amphenol RF](#)
[132194](#)

For any questions, you can email us directly:

sales@integrated-circuit.com

REV.	DATE	ECR NO.	DESCRIPTION
A	04/31/03	-	UPDATE DRAWING FORMAT
B	06/21/05	-	CHANGE 59/U TO 58/U IN PART DESCRIPTION
C	09/10/08	-	CHANGE 58/U TO 55/U IN PART DESCRIPTION



NOTE:

1. CRIMPED FERRULE HEX CRIMP SIZE .213" [5.41]
2. CONTACT PIN TO SOLDER.

DESCRIPTION	MATERIAL	FINISH	QTY	UNLESS OTHERWISE SPECIFIED DIMENSIONS ARE IN MILLIMETERS; DIMENSIONS IN [] ARE IN INCHES AND FOR CUSTOMER REFERENCE ONLY.	APPROVALS	DATE	<h2 style="text-align: center;">Amphenol Connex</h2> <p style="text-align: center;">PART DESCRIPTION SMA R/A CRIMP PLUG (FOR RG-55/U, 223/U, 142/U, 400/U CABLE)</p> <p style="text-align: center;">PART NO. 132194</p>				
8				UNLESS OTHERWISE SPECIFIED TOLERANCES FOR MILLIMETERS ARE: 0.5 - 6mm ± 0.20mm 8 - 30mm ± 0.40mm 30 - 120mm ± 0.50mm UNLESS OTHERWISE SPECIFIED TOLERANCES FOR INCHES ARE: .020 - .315 = ± 0.007" .315 - 1.180 = ± 0.015" 1.180 - 4.724 = ± 0.020" DO NOT SCALE DRAWING	DRAWN	GRS		09/10/08			
7	FERRULE	COPPER	GOLD		1	CHECKED					
6	COVER	BRASS	GOLD		1	ISSUED					
5	GASKET	SILICONE	RED		1	SHEET	1 OF 1				
4	RETAINER RING	BER. COPPER	NATURAL	1	CAD FILE C:/132/132194.DWG			DWG. NO. 132194.DWG			
3	CONTACT PIN	BRASS	GOLD	1	REV. NC			SIZE A			
2	INSULATOR	PTFE	NATURAL	1	SCALE NA						
1	BODY/BARREL	BRASS	GOLD	1							