

Excellent Integrated System Limited

Stocking Distributor

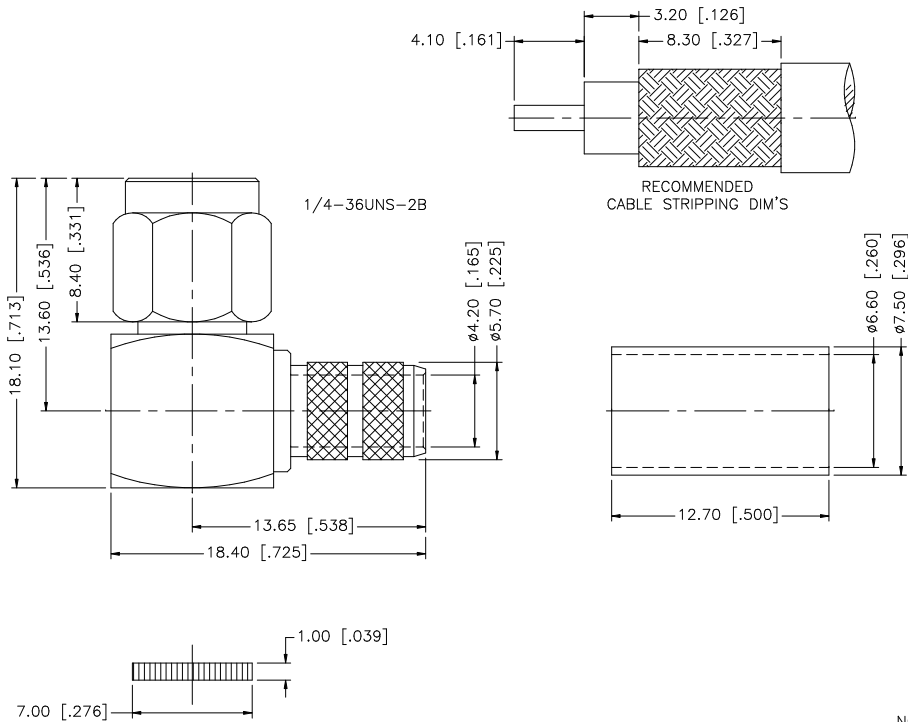
Click to view price, real time Inventory, Delivery & Lifecycle Information:

[Amphenol RF](#)
[132239](#)

For any questions, you can email us directly:

sales@integrated-circuit.com

REV.	DATE	DESCRIPTION
A	01/25/04	UPDATE DRAWING FORMAT



NOTE:
 1. CRIMPED FERRULE
 HEX CRIMP SIZE .255"

				UNLESS OTHERWISE SPECIFIED DIMENSIONS ARE IN MILLIMETERS. DIMENSIONS IN [] ARE IN INCHES AND FOR CUSTOMER REFERENCE ONLY.	APPROVALS	DATE	Amphenol Connex			
8				UNLESS OTHERWISE SPECIFIED TOLERANCES FOR MILLIMETERS ARE: 0.5 - 8mm ± 0.20mm 8 - 30mm ± 0.40mm 30 - 120mm ± 0.50mm UNLESS OTHERWISE SPECIFIED TOLERANCES FOR INCHES ARE: .020 - .315 = ± 0.0007" .315 - 1.180 = ± 0.015" 1.180 - 4.724 = ± 0.020" DO NOT SCALE DRAWING	DRAWN	G.R.S.				01/25/04
7					CHECKED			PART NO. 132239		
6					ISSUED					
5	FERRULE	COPPER	GOLD		1	SHEET	1 OF 1	REV. A SIZE A SCALE NA		
4	COVER	BRASS	GOLD		1	CAD FILE				
3	CONTACT PIN	BRASS	GOLD		1					
2	INSULATOR	TEFLON	NATURAL		1					
1	BODY	BRASS	GOLD		1					
	DESCRIPTION	MATERIAL	FINISH	QTY						