

Excellent Integrated System Limited

Stocking Distributor

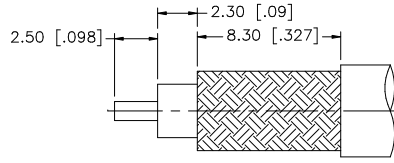
Click to view price, real time Inventory, Delivery & Lifecycle Information:

[Amphenol RF](#)
[132118](#)

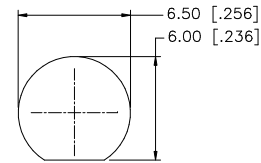
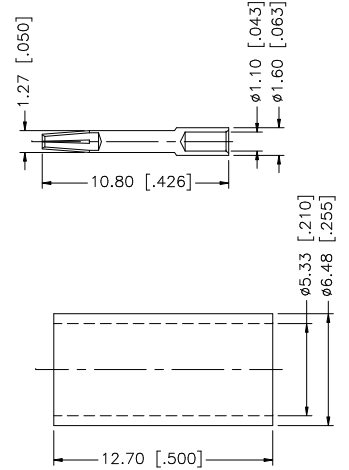
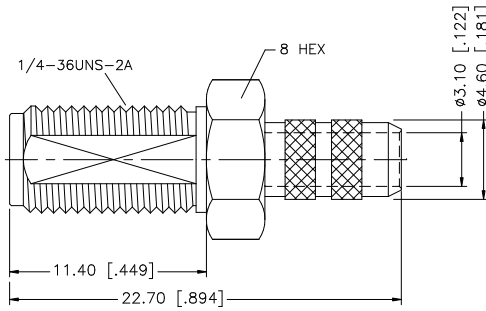
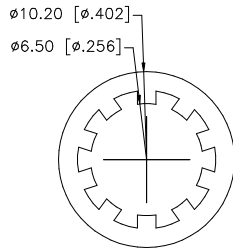
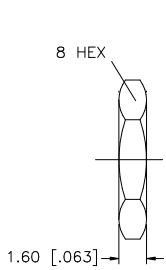
For any questions, you can email us directly:

sales@integrated-circuit.com

REV.	DATE	DESCRIPTION
A	01/23/04	UPDATE DRAWING FORMAT



RECOMMENDED
CABLE STRIPPING DIM'S



RECOMMENDED
MOUNTING HOLES

DESCRIPTION	MATERIAL	FINISH	QTY	UNLESS OTHERWISE SPECIFIED DIMENSIONS ARE IN MILLIMETERS. DIMENSIONS IN [] ARE IN INCHES AND FOR CUSTOMER REFERENCE ONLY.	APPROVALS	DATE	Amphenol Connex PART DESCRIPTION SMA BULKHEAD CRIMP JACK (FOR RG-58C/U, 58/U CABLE)
8					DRAWN	01/23/04	
7					G.R.S.		
6	FERRULE	COPPER	GOLD	1	CHECKED		DWG. NO. 132118.DWG REV. A SIZE A SCALE NA
5	LOCK WASHER	BRASS	GOLD	1	ISSUED		
4	HEX NUT	BRASS	GOLD	1			
3	CONTACT PIN	BER. COPPER	GOLD	1	SHEET	1 OF 1	
2	INSULATOR	TEFLON	NATURAL	1			
1	BODY	BRASS	GOLD	1			
				UNLESS OTHERWISE SPECIFIED TOLERANCES FOR MILLIMETERS ARE: 0.5 - 8mm ± 0.20mm 8 - 30mm ± 0.40mm 30 - 120mm ± 0.50mm UNLESS OTHERWISE SPECIFIED TOLERANCES FOR INCHES ARE: .020 - .315 = ± 0.007" .315 - 1.180 = ± 0.015" 1.180 - 4.724 = ± 0.020"	CAD FILE C:/132/132118.DWG		
				DO NOT SCALE DRAWING			