

Excellent Integrated System Limited

Stocking Distributor

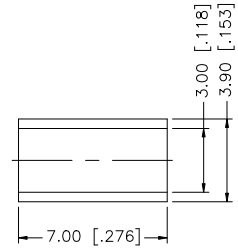
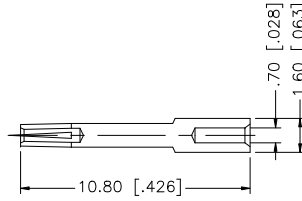
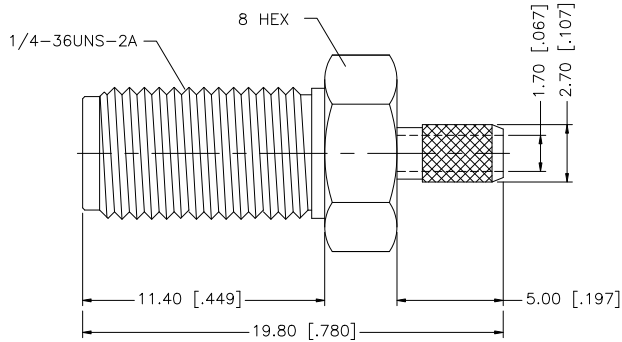
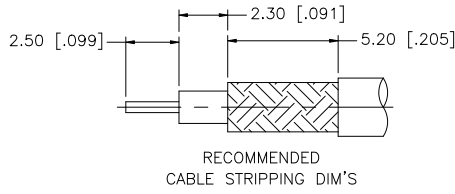
Click to view price, real time Inventory, Delivery & Lifecycle Information:

[Amphenol RF](#)
[132117](#)

For any questions, you can email us directly:

sales@integrated-circuit.com

REV.	DATE	DESCRIPTION
A	01/20/04	UPDATE DRAWING FORMAT
B	09/03/07	REVISE BARREL, FERRULE O.D. DIMENSIONS



- NOTE:
 1. CRIMPED FERRULE
 HEX. CRIMP SIZE .128"
 2. CONTACT PIN TO SOLDER.

DESCRIPTION	MATERIAL	FINISH	QTY	APPROVALS	DATE	<h2 style="color: blue; margin: 0;">Amphenol Connex</h2>
8						
7						PART NO. 132117
6						
5						REV. B SIZE A SCALE NA
4	FERRULE	COPPER	GOLD	1		
3	CONTACT PIN	BER. COPPER	GOLD	1		
2	INSULATOR	TEFLON	NATURAL	1		
1	BODY	BRASS	GOLD	1		
<small>UNLESS OTHERWISE SPECIFIED DIMENSIONS ARE IN MILLIMETERS. DIMENSIONS IN [] ARE IN INCHES AND FOR CUSTOMER REFERENCE ONLY.</small> <small>UNLESS OTHERWISE SPECIFIED TOLERANCES FOR MILLIMETERS ARE:</small> 0.5 - 8mm ± 0.20mm 8 - 30mm ± 0.40mm 30 - 120mm ± 0.50mm <small>UNLESS OTHERWISE SPECIFIED TOLERANCES FOR INCHES ARE:</small> .020 - .315 = ± 0.007" .315 - 1.180 = ± 0.015" 1.180 - 4.724 = ± 0.020" DO NOT SCALE DRAWING				APPROVALS DRAWN G.R.S. CHECKED ISSUED SHEET 1 OF 1 CAD FILE C:/132/132117.DWG	DATE 09/03/07	